

2 ASSEMBLY & DETAILS

ES-1000
SINGLE HUNG WINDOW
LMI

2

ASSEMBLY & DETAILS

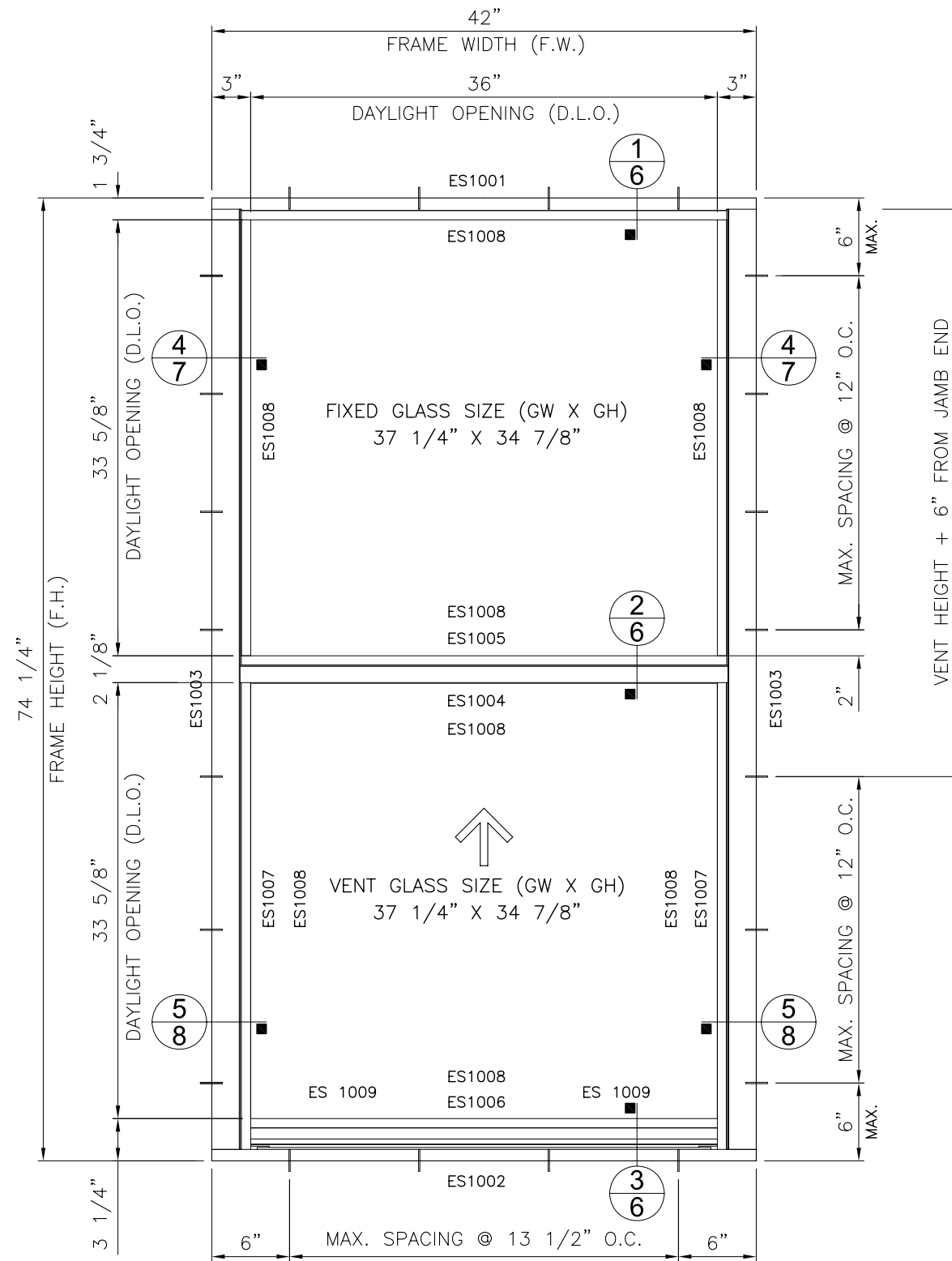
DESCRIPTION

PART No.

CONTENTS

CODE

C.I. ENERGIA SOLAR S.A.
ES
ESWINDOWS
5220 N.W. 72 Ave. Bay #4
Miami, FL 33166
Tel. (305) 640-9857
Fax (305) 593-2074



**ELEVATION 01
STANDARD SILL**

BILL OF MATERIALS (STANDARD SILL)

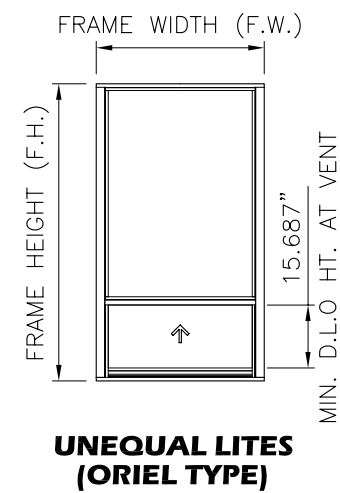
CODE	PART #	DESCRIPTION	QTY.
EXTRUSIONS			
E1	ES1001	FRAME HEAD	1
E2	ES1002	FRAME SILL	1
E3	ES1003	FRAME JAMB	2
E4	ES1004	VENT TOP RAIL	1
E5	ES1005	FIXED MEETING RAIL	1
E6	ES1006	VENT BOTTOM RAIL	1
E7	ES1007	VENT SIDE RAIL	2
E8V	ES1008	HORIZONTAL GLAZING BEAD - VENT	2
E8V	ES1008	VERTICAL GLAZING BEAD - VENT	2
E8F	ES1008	HORIZONTAL GLAZING BEAD - FIXED	2
E8F	ES1008	VERTICAL GLAZING BEAD - FIXED	2
E9	ES1009	VENT LATCH	2
E10	ES1013	SASH STOP	2
E11	ES1505	FLUSH FRAME ADAPTER (OPTIONAL)*	4
MISCELLANEOUS			
M1	-	#8 X 1" P.H. ST/ST SCREW	20
M2	ES1010	GLAZING WEDGE	AS RQD.
M3	ES1011	SASH CAM	2
M4	ES1012	LATCH SPRING	2
M5	-	BALANCE (SEE NOTE 3)	2
M6	-	BALANCE TAKE OUT CLIP**	2
M7	W23211NG	PILE	AS RQD.
M8	Q300T190	Q-LON	AS RQD.
M9	-	STRUCTURAL SILICONE	AS RQD.
M10	-	SILICONE	AS RQD.
M11	-	TAPE 1/4" x 1/2"	AS RQD.
GLASS			
GV	-	GLASS (VENT)	1
GF	-	GLASS (FIXED)	1

* ADD 8 #8 X 1" F.H. ST/ST SCREWS FOR ASSEMBLY
** FOR BLOCK AND TACKLE BALANCE ONLY

CHART 01

NOTES

- VENT HEIGHT = D.L.O. + 4 1/8"
- GLASS WIDTH
G.W. = F.W. - 4 3/4"
GLASS HEIGHT
- EQUAL VENT & FIXED
G.H. = (F.H. - 4 1/2") / 2
- UNEQUAL VENT & FIXED (ORIEL)
VENT G.H. = D.L.O. + 1 1/4" = VENT HEIGHT - 2 7/8"
FIXED G.H. = (F.H. - 4 1/2") - VENT G.H.
- BALANCE TYPE: BLOCK & TACKLE
USE SPIRAL BALANCE FOR VENT WEIGHT > 45 LB.
FOR SPIRAL BALANCE ADD:
2 # 8 x 1" P.H. ST/ST SCREWS FOR FRAME MOUNTING
2 # 8 x 1/2" P.H. ST/ST SCREWS FOR VENT FASTENING
2 ES04 PLASTIC GUIDES
2 # 6 x 1/2" F.H. ST/ST SCREWS FOR FIXING GUIDES



**UNEQUAL LITES
(ORIEL TYPE)**

ES-1000
SINGLE HUNG WINDOW
LMI



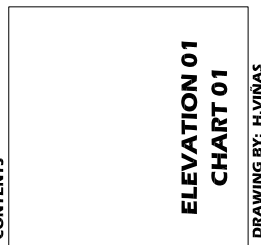
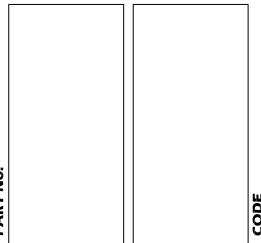
**TYPICAL ASSEMBLY
BILL OF MATERIALS
STANDARD SILL**

ASSEMBLY & DETAILS

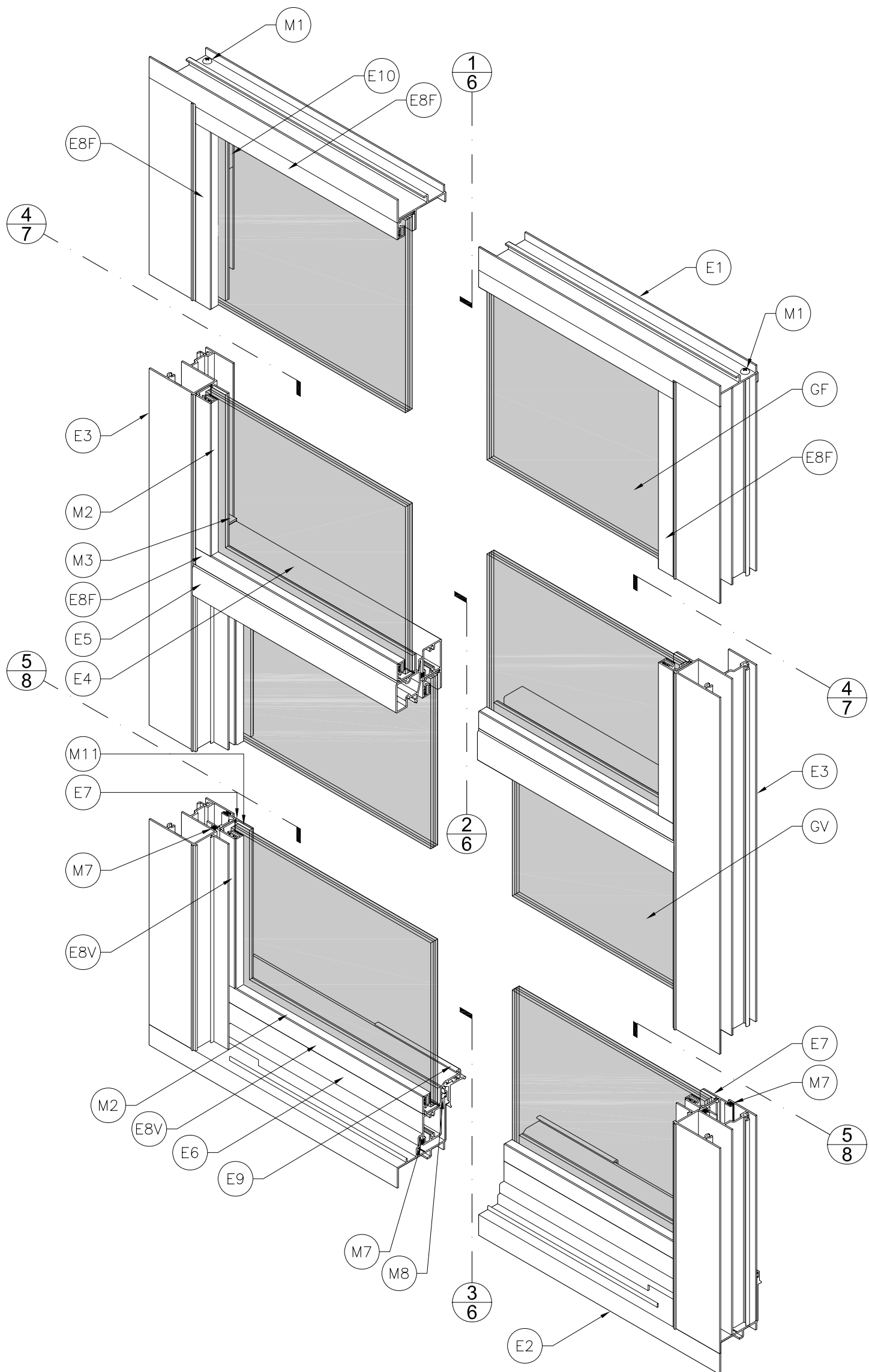
DESCRIPTION

PART NO.

CONTENTS



C.I. ENERGIA SOLAR S.A.
ESWINDOWS
951 N.E. 167 St. Suite 207
Miami, FL 33162
Tel. (305) 249-0840/41
Fax (305) 249-0842



C.I. ENERGIA SOLAR S.A.
ESW
ESWINDOWS
 5220 N.W. 72 Ave. Bay #4
 Miami, Fl. 33166
 Tel. (305) 640-9857
 Fax (305) 593-2074

CONTENTS	PART No.	DESCRIPTION

**EXPLODED VIEW
STANDARD SILL**



ES-1000
SINGLE HUNG WINDOW

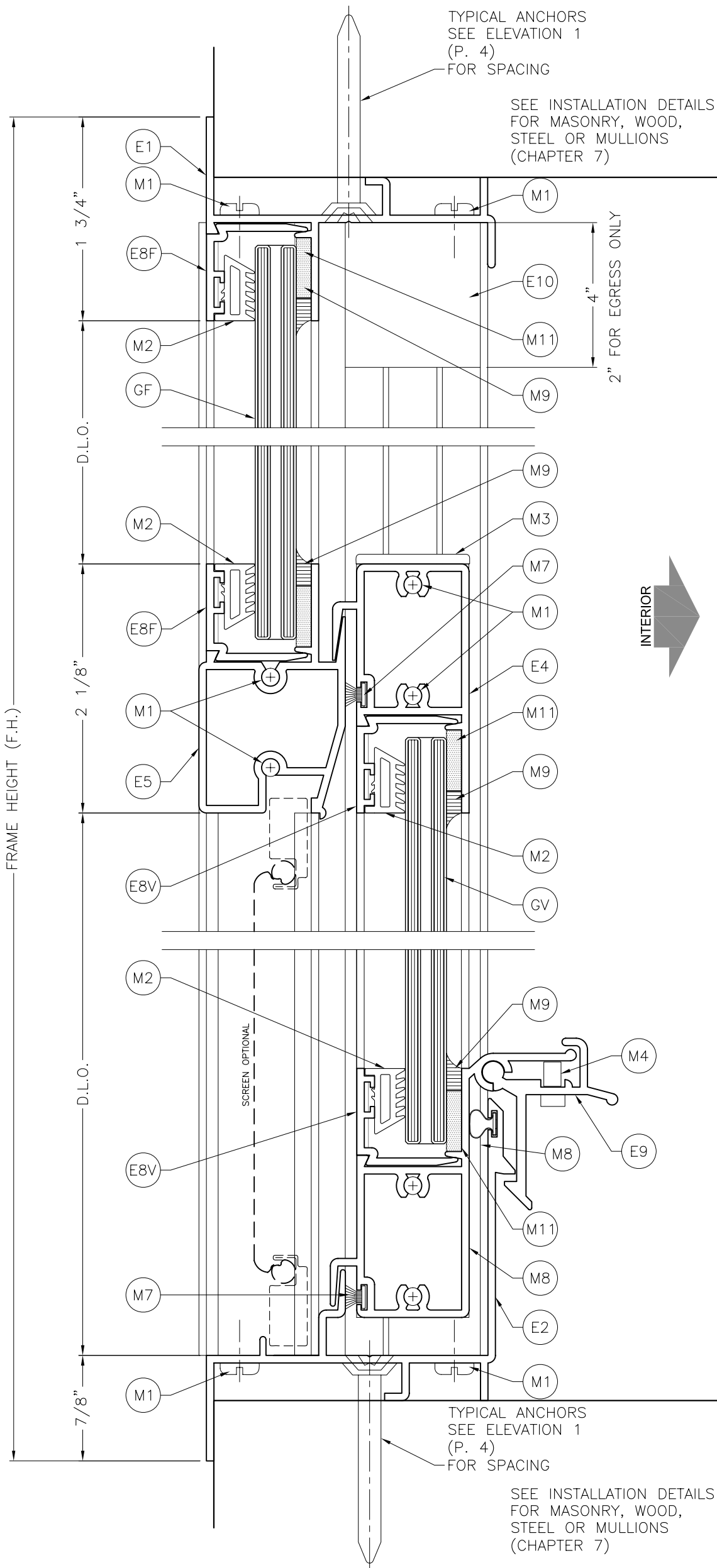
ASSEMBLY & DETAILS

LMI

DETAIL 1 $\frac{1}{6}$

DETAIL 2 $\frac{2}{6}$

DETAIL 3 $\frac{3}{6}$



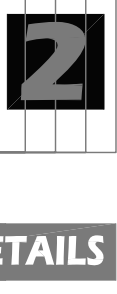
C.I. ENERGIA SOLAR S.A.

ESWINDOWS
 5220 N.W. 72 Ave. Bay #4
 Miami, Fl. 33166
 Tel. (305) 640-9857
 Fax (305) 593-2074

CONTENTS
DETAIL 1
DETAIL 2
DETAIL 3

PART No.
SEE ELEVATION 1
<small>CODE</small>

DESCRIPTION
VERTICAL SECTION STANDARD SILL
ASSEMBLY & DETAILS



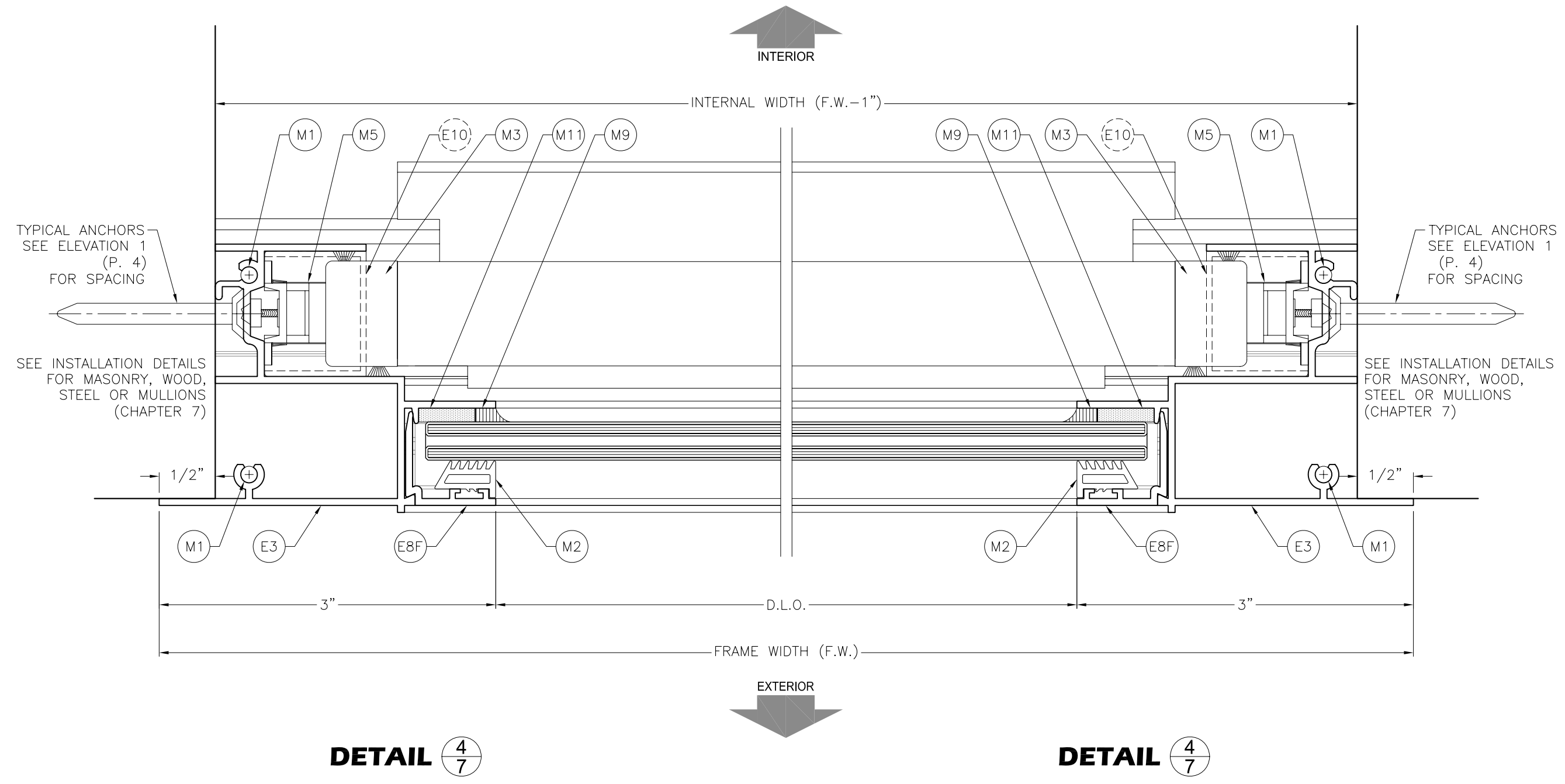
ES-1000
 SINGLE HUNG WINDOW

LMI



**HORIZONTAL SECTION
AT FIXED**

ASSEMBLY & DETAILS



DETAIL 4/7

DETAIL 4/7

DESCRIPTION

PART No.

SEE ELEVATION 1
CODE

CONTENTS

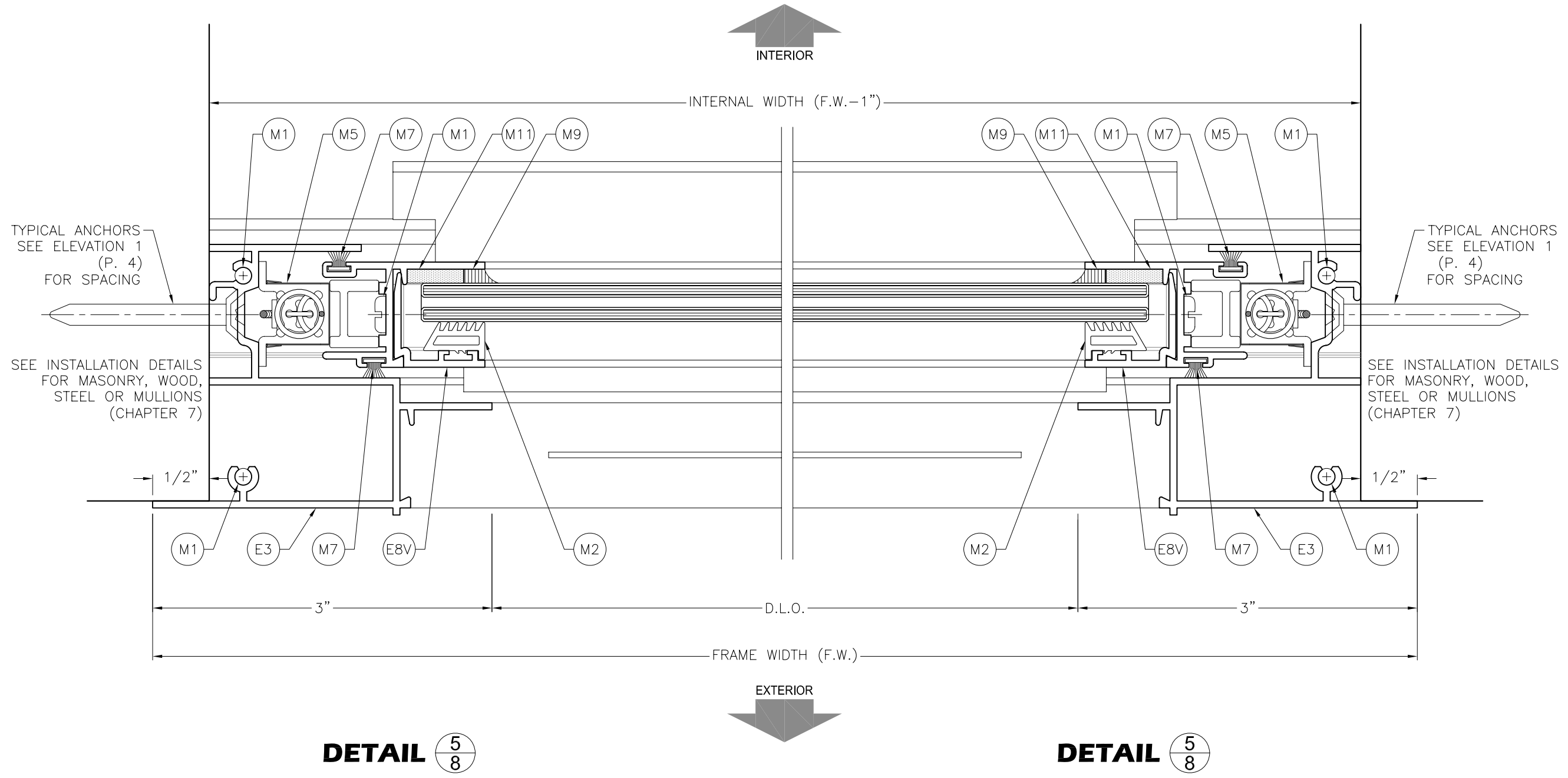
DETAIL 4

C.I. ENERGIA SOLAR S.A.
ESWINDOWS
 5220 N.W. 72 Ave. Bay #4
 Miami, FL 33166
 Tel. (305) 640-9857
 Fax (305) 593-2074



**HORIZONTAL SECTION
AT VENT**

ASSEMBLY & DETAILS



DETAIL 5/8

DETAIL 5/8

DESCRIPTION

PART No.

SEE ELEVATION 1
CODE

CONTENTS

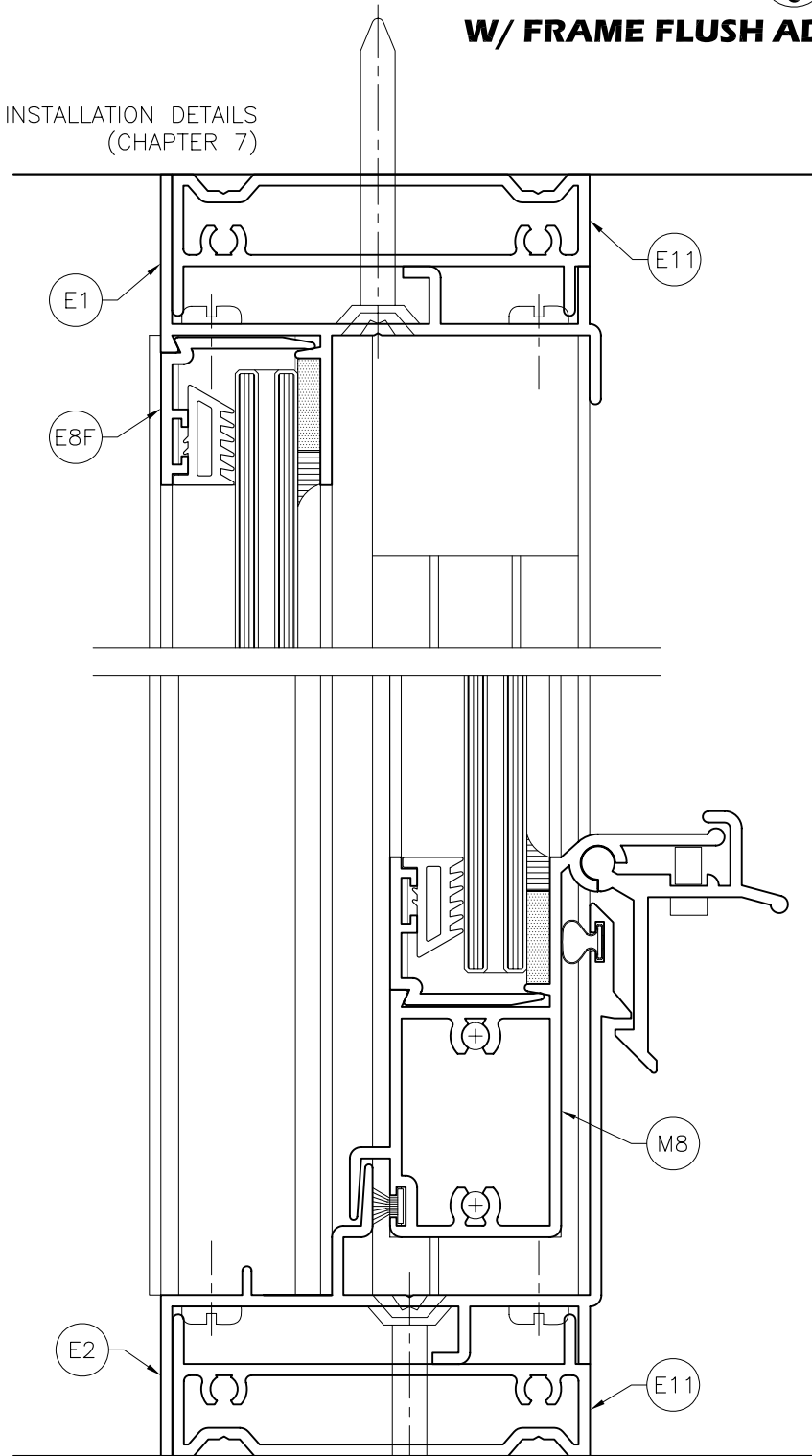
DETAIL 5

C.I. ENERGIA SOLAR S.A.

ESWINDOWS
 5220 N.W. 72 Ave. Bay #4
 Miami, FL 33166
 Tel. (305) 640-9857
 Fax (305) 593-2074

DETAIL $\frac{1}{6}$
W/ FRAME FLUSH ADAPTER

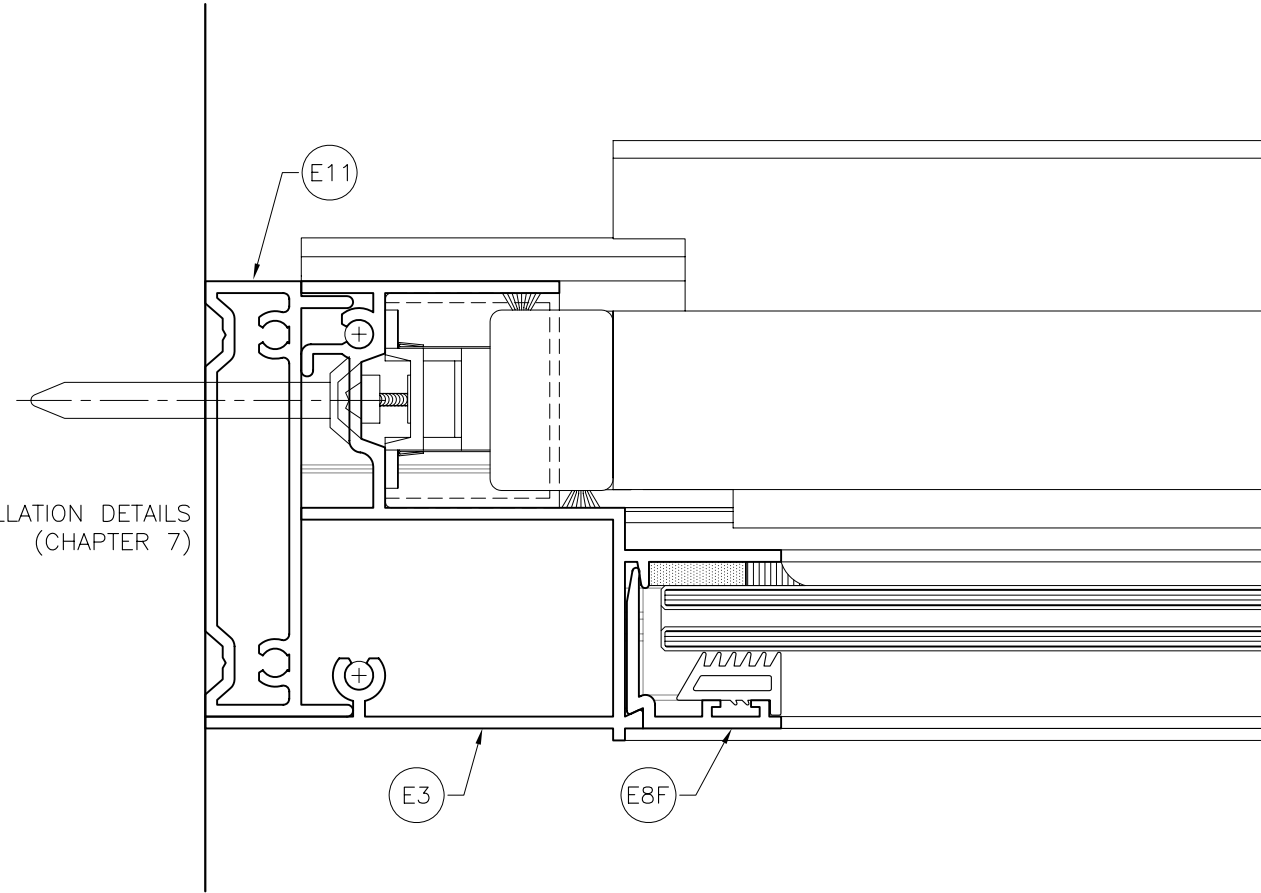
SEE INSTALLATION DETAILS
 (CHAPTER 7)



SEE INSTALLATION DETAILS
 (CHAPTER 7)

DETAIL $\frac{3}{6}$
W/ FRAME FLUSH ADAPTER

SEE INSTALLATION DETAILS
 (CHAPTER 7)



DETAIL $\frac{4}{7}$
W/ FRAME FLUSH ADAPTER

ES-1000
 SINGLE HUNG WINDOW
 LMI



ASSEMBLY & DETAILS

FLUSH FRAME ADAPTER

DESCRIPTION

PART No.

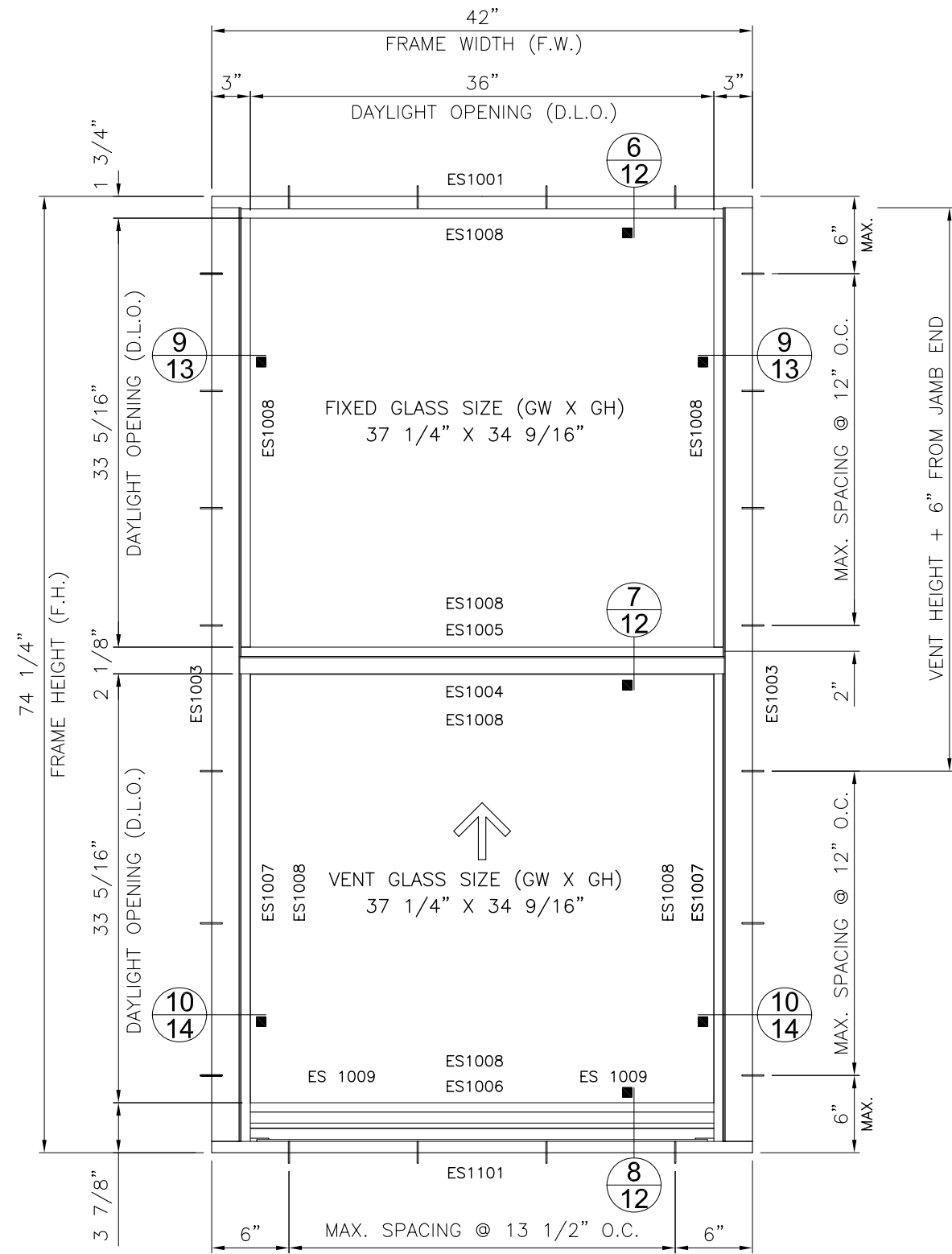
SEE ELEVATION 1
 CODE

CONTENTS

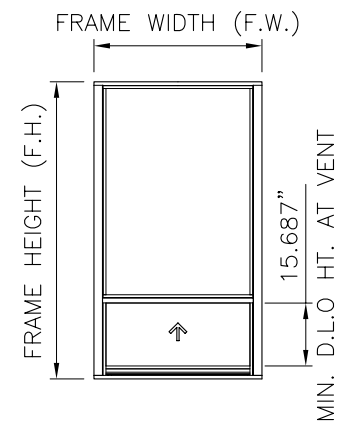
DETAIL 1 (W/F.F.A.)
 DETAIL 3 (W/F.F.A.)
 DETAIL 9 (W/F.F.A.)

C.I. ENERGIA SOLAR S.A.

ESWINDOWS
 5220 N.W. 72 Ave. Bay #4
 Miami, FL 33166
 Tel. (305) 640-9857
 Fax (305) 593-2074



**ELEVATION 02
HI - RISE SILL**



**UNEQUAL LITES
(ORIEL TYPE)**

BILL OF MATERIALS (HI RISE SILL)

CODE	PART #	DESCRIPTION	QTY.
EXTRUSIONS			
E1	ES1001	FRAME HEAD	1
E2H	ES1101	FRAME SILL (HI - RISE)	1
E3	ES1003	FRAME JAMB	2
E4	ES1004	VENT TOP RAIL	1
E5	ES1005	FIXED MEETING RAIL	1
E6	ES1006	VENT BOTTOM RAIL	1
E7	ES1007	VENT SIDE RAIL	2
E8V	ES1008	HORIZONTAL GLAZING BEAD - VENT	2
E8V	ES1008	VERTICAL GLAZING BEAD - VENT	2
E8F	ES1008	HORIZONTAL GLAZING BEAD - FIXED	2
E8F	ES1008	VERTICAL GLAZING BEAD - FIXED	2
E9	ES1009	VENT LATCH	2
E10	ES1013	SASH STOP	2
E11	ES1505	FLUSH FRAME ADAPTER (OPTIONAL)*	4
MISCELLANEOUS			
M1	-	#8 X 1" P.H. ST/ST SCREW	20
M2	ES1010	GLAZING WEDGE	AS RQD.
M3	ES1011	SASH CAM	2
M4	ES1012	LATCH SPRING	2
M5	-	BALANCE (SEE NOTE 3)	2
M6	-	BALANCE TAKE OUT CLIP**	2
M7	W23211NG	PILE	AS RQD.
M8	Q300T190	Q-LON	AS RQD.
M9	-	STRUCTURAL SILICONE	AS RQD.
M10	-	SILICONE	AS RQD.
M11	-	TAPE 1/4" x 1/2"	AS RQD.
GLASS			
GV	-	GLASS (VENT)	1
GF	-	GLASS (FIXED)	1

* ADD 8 #8 X 1" F.H. ST/ST SCREWS FOR ASSEMBLY
** FOR BLOCK AND TACKLE BALANCE ONLY

CHART 02

NOTES

- VENT HEIGHT = D.L.O. + 4 1/8"
- GLASS WIDTH
G.W. = F.W. - 4 3/4"
GLASS HEIGHT
- EQUAL VENT & FIXED
G.H. = (F.H. - 5 1/8") / 2
- UNEQUAL VENT & FIXED (ORIEL)
VENT G.H. = D.L.O. + 1 1/4" = VENT HEIGHT - 2 7/8"
FIXED G.H. = (F.H. - 5 1/8") - VENT G.H.
- BALANCE TYPE: BLOCK & TACKLE
USE SPIRAL BALANCE FOR VENT WEIGHT > 45 LB.
FOR SPIRAL BALANCE ADD:
2 # 8 x 1" P.H. ST/ST SCREWS FOR FRAME MOUNTING
2 # 8 x 1/2" P.H. ST/ST SCREWS FOR VENT FASTENING
2 ES04 PLASTIC GUIDES
2 # 6 x 1/2" F.H. ST/ST SCREWS FOR FIXING GUIDES

ES-1000
SINGLE HUNG WINDOW
LMI



**TYPICAL ASSEMBLY
BILL OF MATERIALS
HI-RISE SILL**

ASSEMBLY & DETAILS

DESCRIPTION

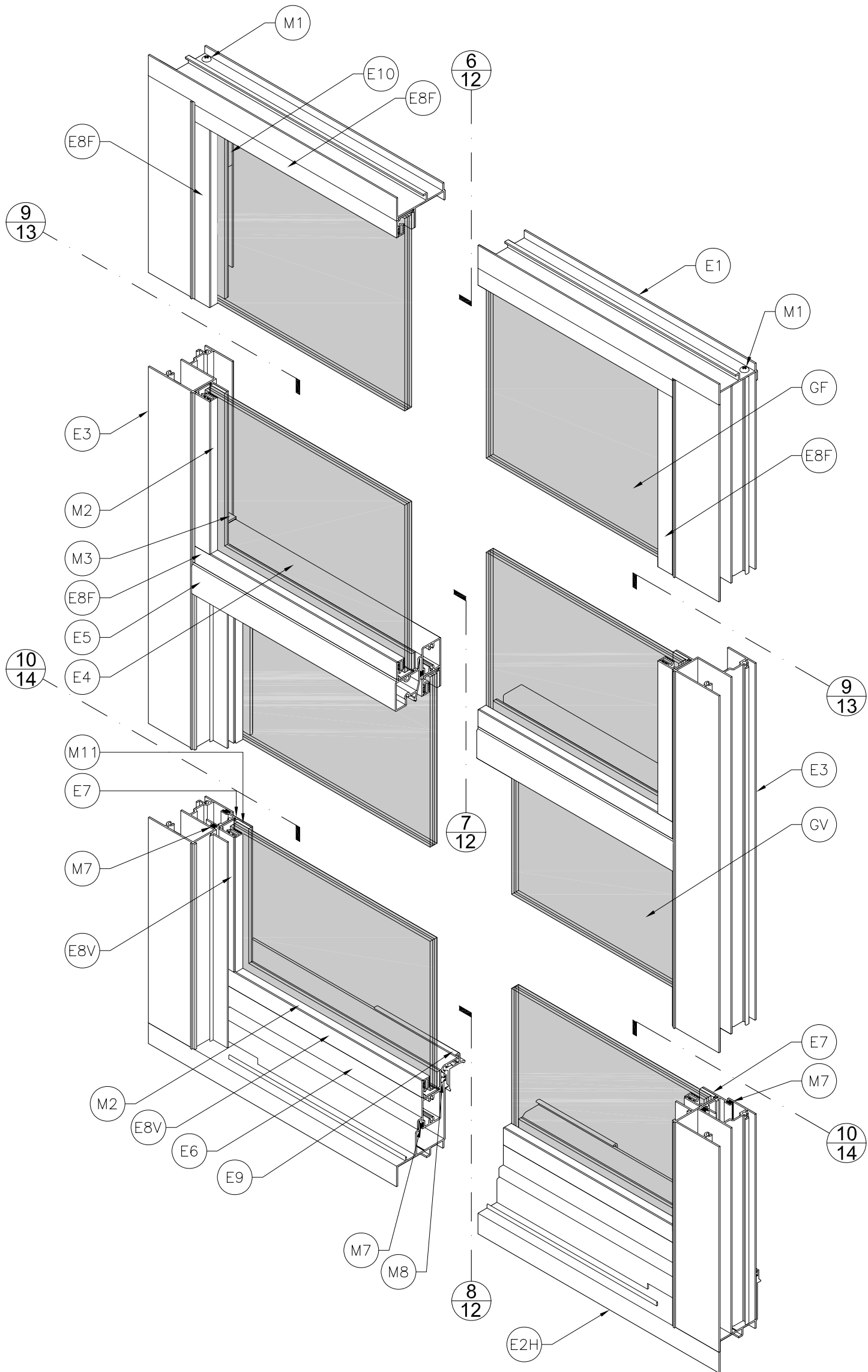
DESCRIPTION	PART NO.	CODE

CONTENTS

CONTENTS	ELEVATION 02 CHART 02

DRAWING BY: H.VINAS

C.I. ENERGIA SOLAR S.A.
ESWINDOWS
951 N.E. 167 St. Suite 207
Miami, FL 33162
Tel. (305) 249-0840/41
Fax (305) 249-0842



C.I. ENERGIA SOLAR S.A.



5220 N.W. 72 Ave. Bay #4
Miami, Fl. 33166
Tel. (305) 640-9857
Fax (305) 593-2074

CONTENTS

--

PART No.

DESCRIPTION

**EXPLODED VIEW
HI RISE SILL**

2

ES-1000
SINGLE HUNG WINDOW

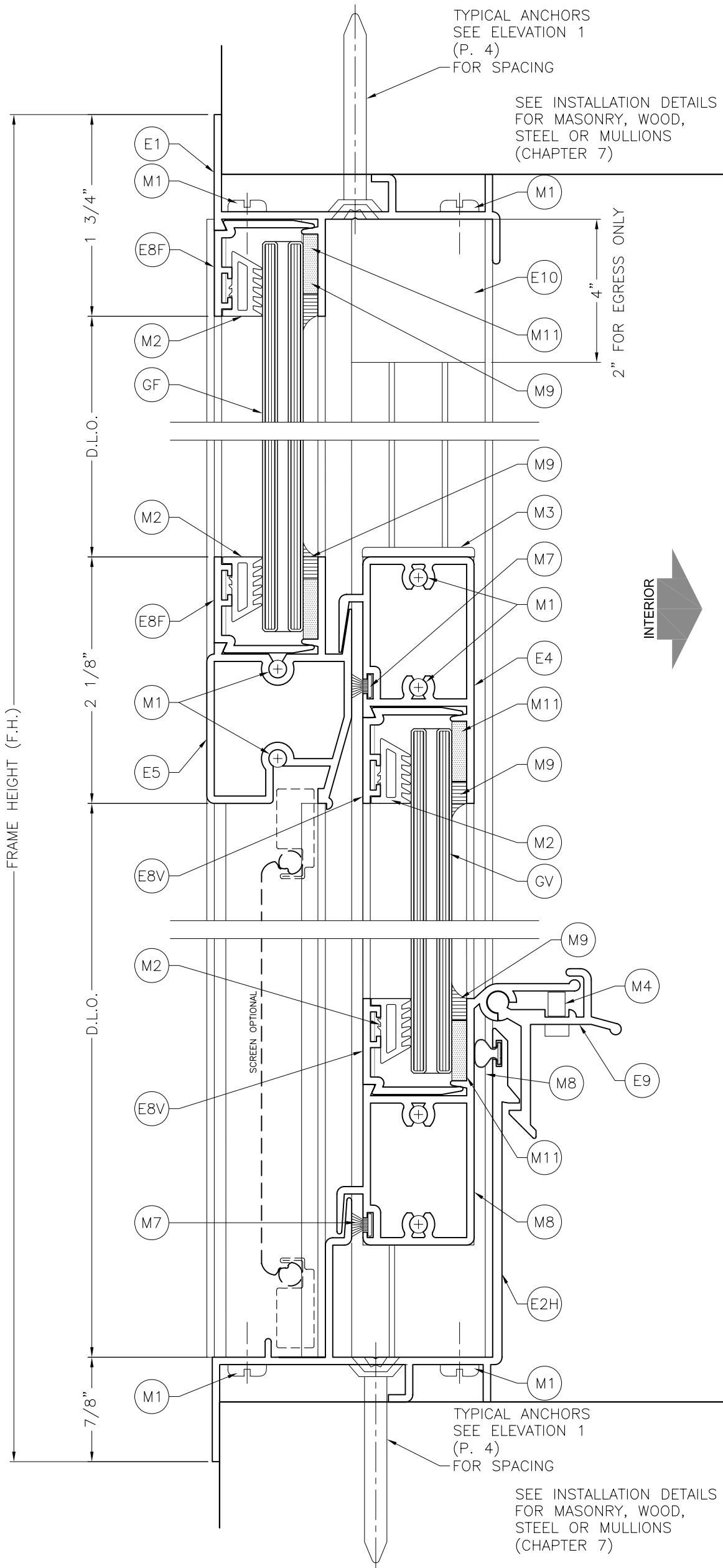
ASSEMBLY & DETAILS

LMI

DETAIL $\frac{6}{12}$

DETAIL $\frac{7}{12}$

DETAIL $\frac{8}{12}$



C.I. ENERGIA SOLAR S.A.

ESWINDOWS
5220 N.W. 72 Ave. Bay #4
Miami, Fl. 33166
Tel. (305) 640-9857
Fax (305) 593-2074

CONTENTS
DETAIL 6
DETAIL 7
DETAIL 8

PART No.	DESCRIPTION
	VERTICAL SECTION HI-RISE SILL
	SEE ELEVATION 2
CODE	

VERTICAL SECTION HI-RISE SILL



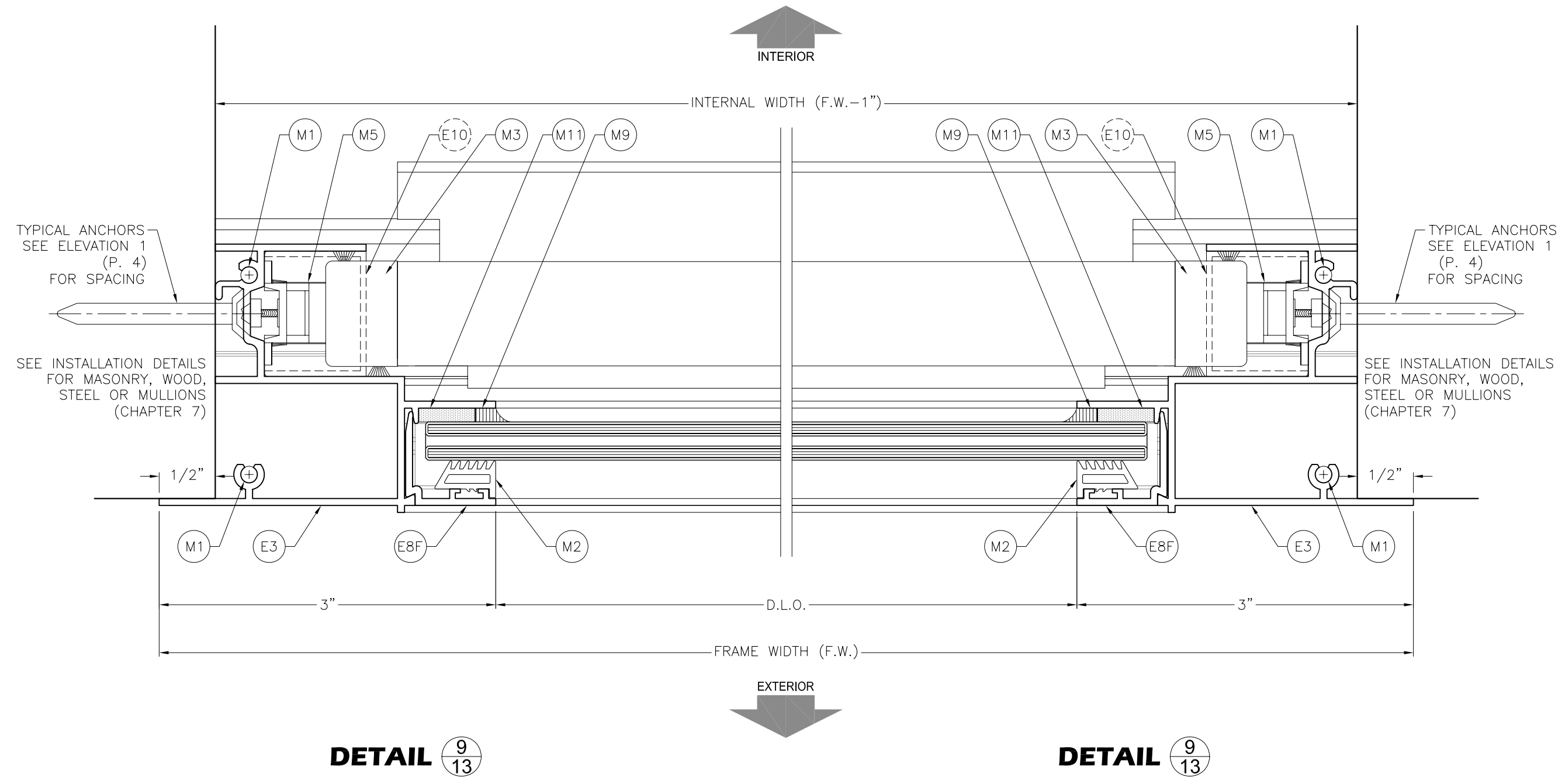
ES-1000
SINGLE HUNG WINDOW

ASSEMBLY & DETAILS



**HORIZONTAL SECTION
AT FIX**

ASSEMBLY & DETAILS



DETAIL 9
13

DETAIL 9
13

DESCRIPTION

PART No.

CONTENTS

SEE ELEVATION 2

DETAIL 9

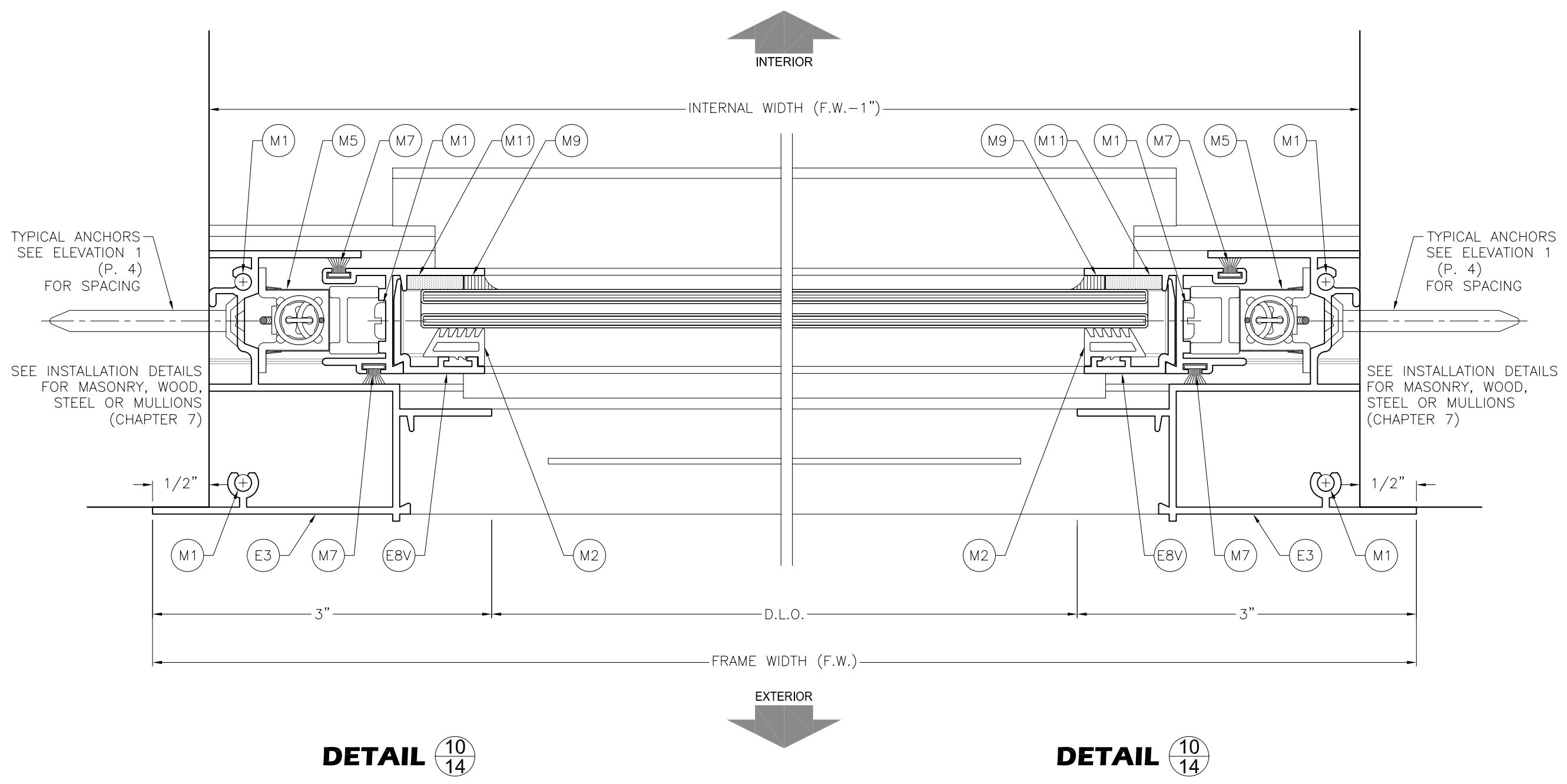
CODE

C.I. ENERGIA SOLAR S.A.
ESWINDOWS
 5220 N.W. 72 Ave. Bay #4
 Miami, FL 33166
 Tel. (305) 640-9857
 Fax (305) 593-2074



**HORIZONTAL SECTION
AT VENT**

ASSEMBLY & DETAILS



DETAIL $\frac{10}{14}$

DETAIL $\frac{10}{14}$

DESCRIPTION

PART No.

SEE ELEVATION 2
CODE

CONTENTS

DETAIL 10

C.I. ENERGIA SOLAR S.A.
ESWINDOWS
5220 N.W. 72 Ave. Bay #4
Miami, FL 33166
Tel. (305) 640-9857
Fax (305) 593-2074