

# INSTALLATION

**ES-1000**  
SINGLE HUNG WINDOW  
LMI




**INSTALLATION**

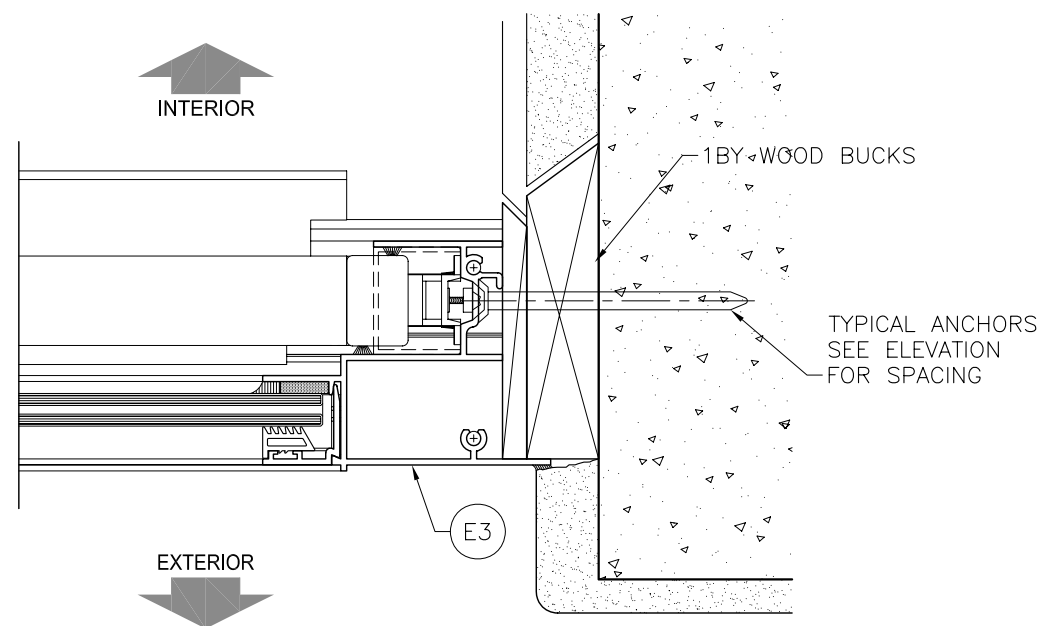
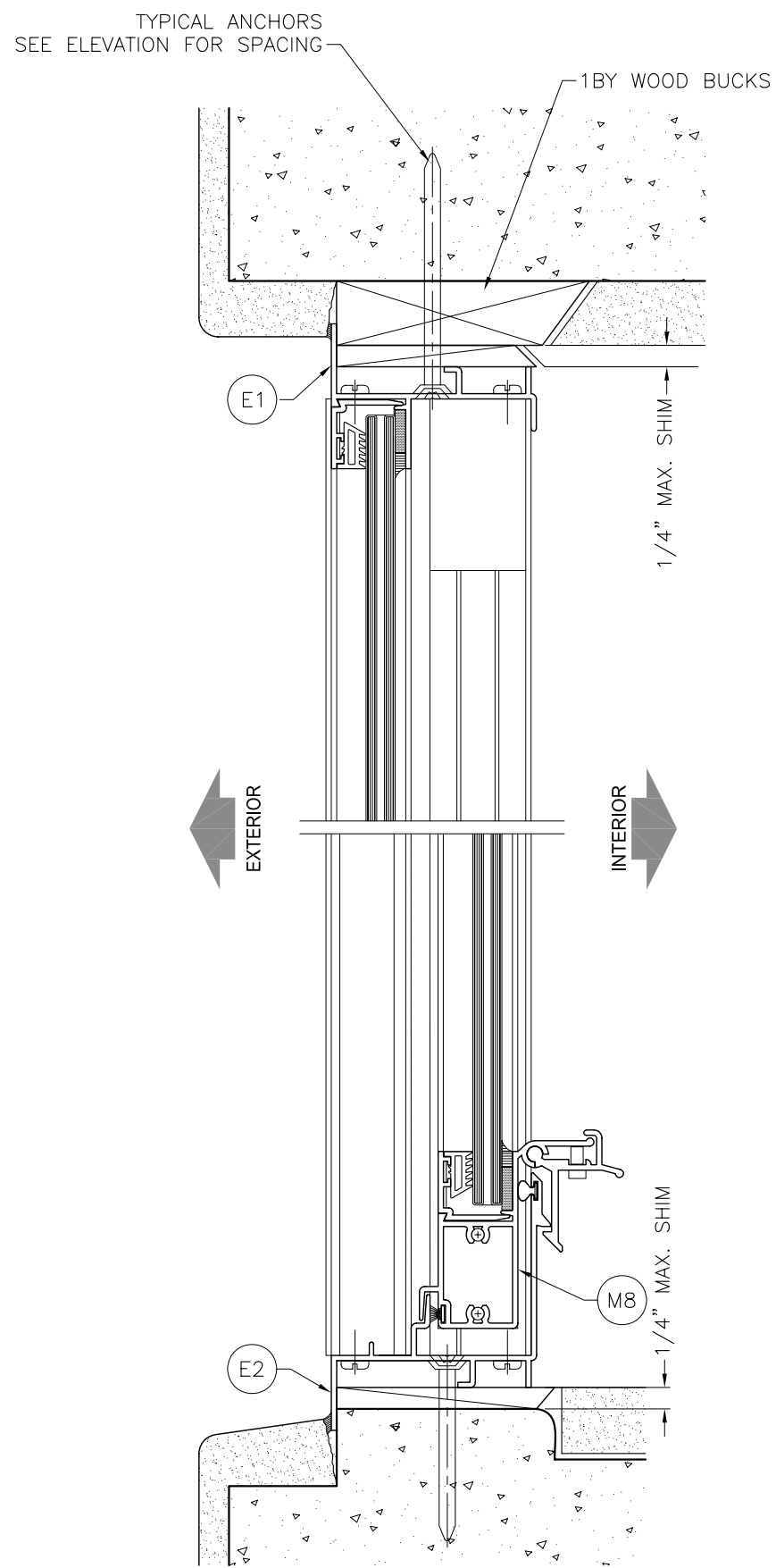
DESCRIPTION

PART No.

CONTENTS

CODE

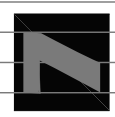
C.I. ENERGIA SOLAR S.A.  
  
**ESWINDOWS**  
5220 N.W. 72 Ave. Bay #4  
Miami, FL 33166  
Tel. (305) 640-9857  
Fax (305) 593-2074



**TYPICAL ANCHORS**

1/4" TAPCONS  
 THRU 1 BY BUCKS INTO CONC. OR MASONRY  
 1 1/4" MIN. EMBED INTO CONC. OR MASONRY

**ES-1000**  
 SINGLE HUNG WINDOW  
 LMI



**CONC. OR MASONRY**

**INSTALLATION**

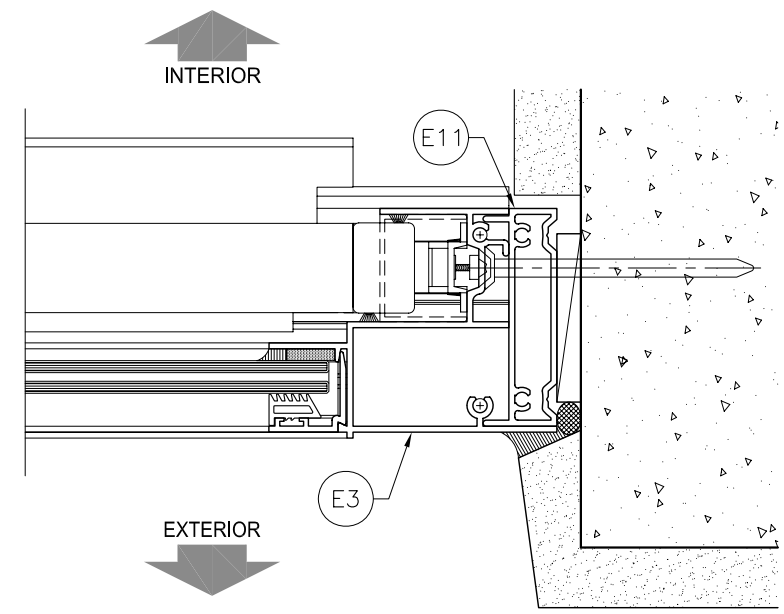
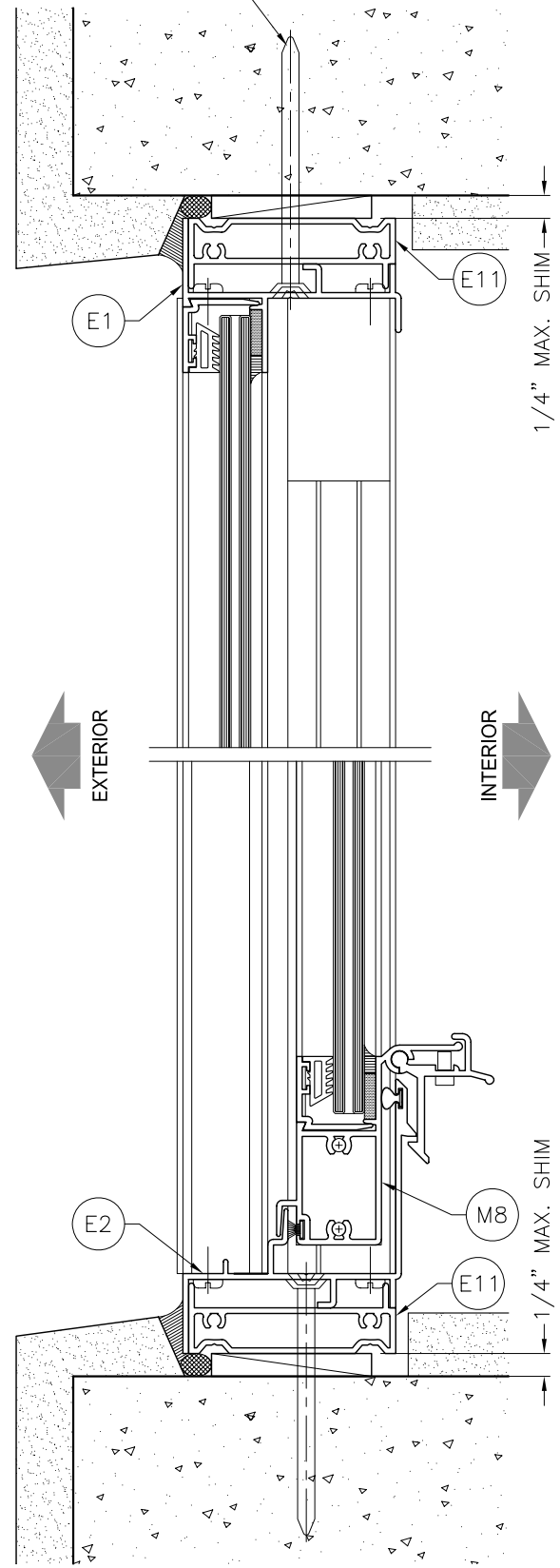
DESCRIPTION

PART No.

CONTENTS

C.I. ENERGIA SOLAR S.A.  
**ESWINDOWS**  
 5220 N.W. 72 Ave. Bay #4  
 Miami, FL 33166  
 Tel. (305) 640-9857  
 Fax (305) 593-2074

TYPICAL ANCHORS  
SEE ELEVATION FOR SPACING



**TYPICAL ANCHORS**  
1/4" TAPCONS  
DIRECTLY INTO CONC. OR MASONRY  
1 1/4" MIN. EMBED INTO CONC. OR MASONRY

**ES-1000**  
SINGLE HUNG WINDOW  
LMI



**CONC. OR MASONRY  
W/FRAME ADAPTER**

**INSTALLATION**

DESCRIPTION

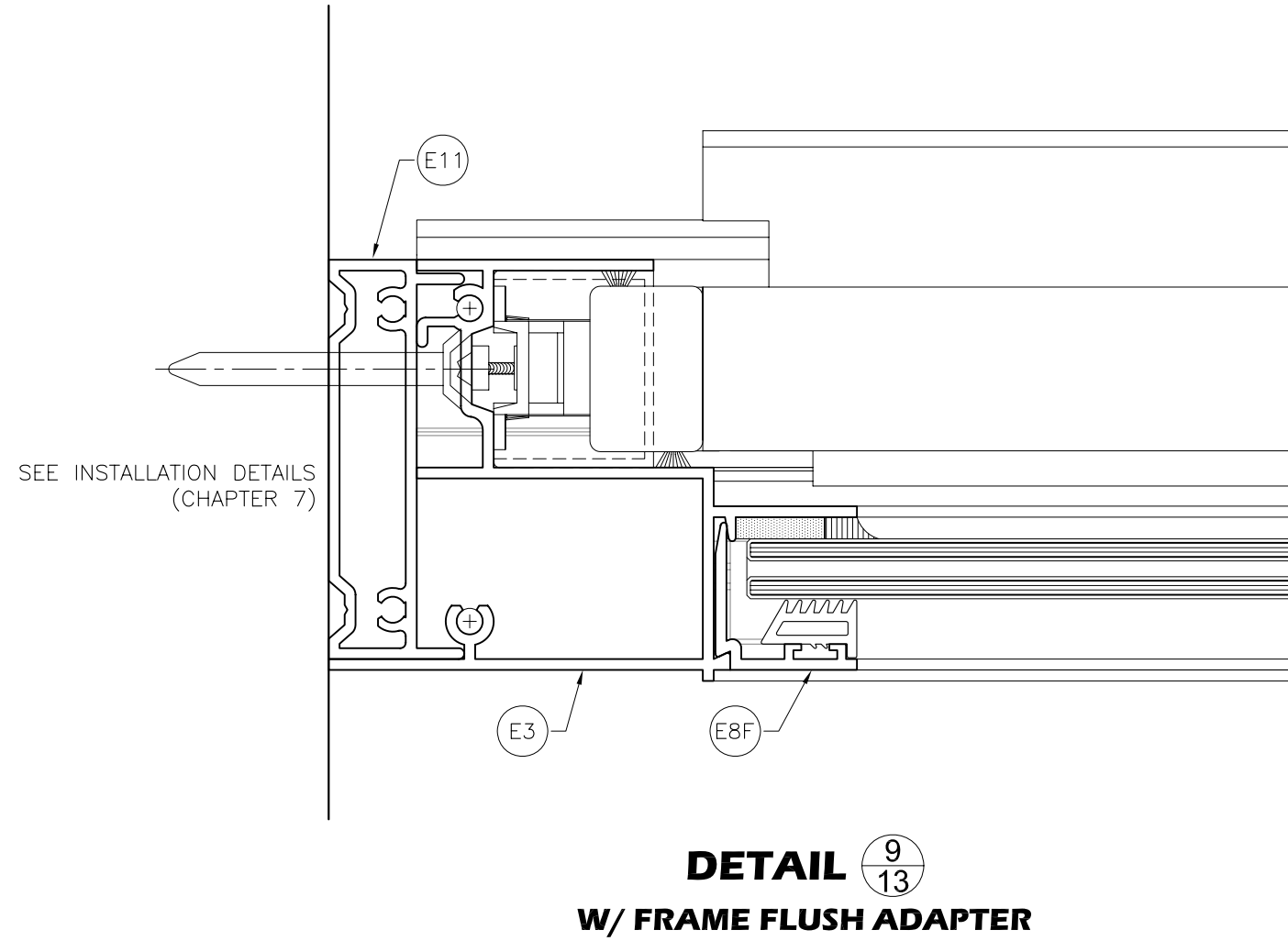
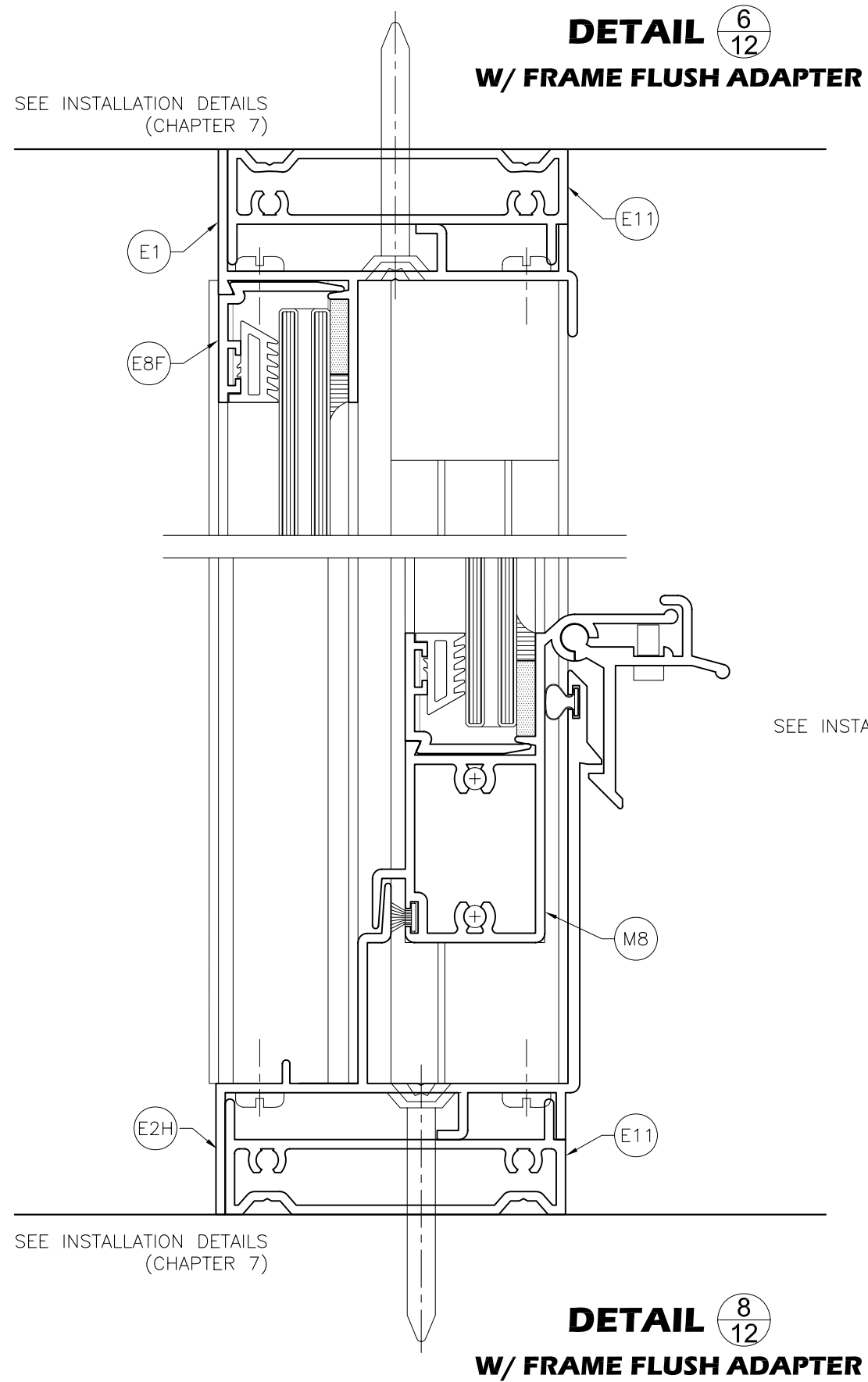
PART No.

CONTENTS

--	--

CODE

C.I. ENERGIA SOLAR S.A.  
**ESWINDOWS**  
5220 N.W. 72 Ave. Bay #4  
Miami, FL 33166  
Tel. (305) 640-9857  
Fax (305) 593-2074



**ES-1000**  
SINGLE HUNG WINDOW  
LMI



**FLUSH FRAME ADAPTER**

**ASSEMBLY & DETAILS**

DESCRIPTION

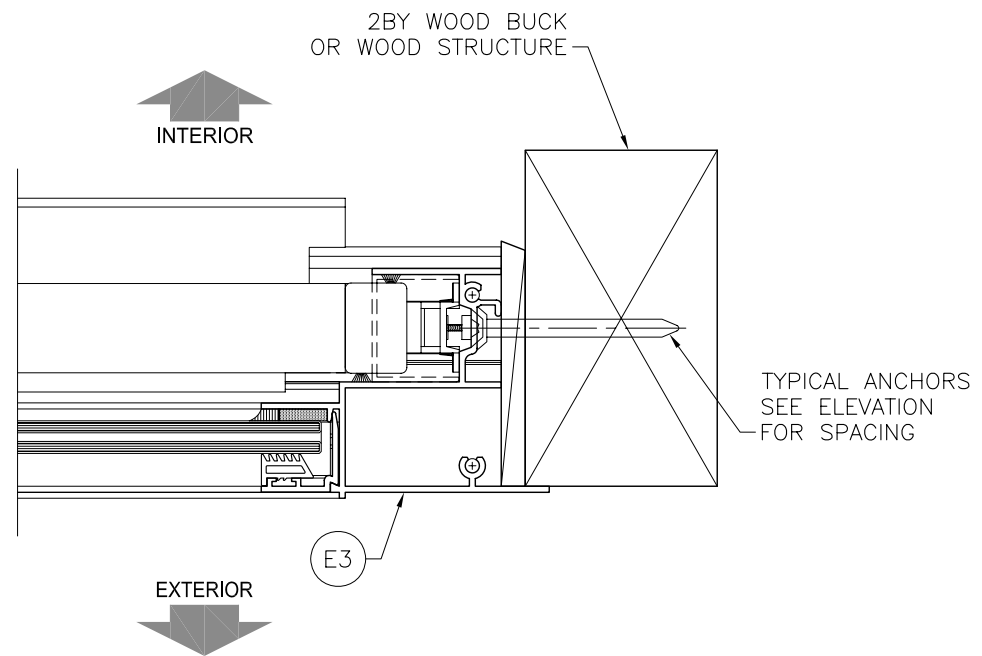
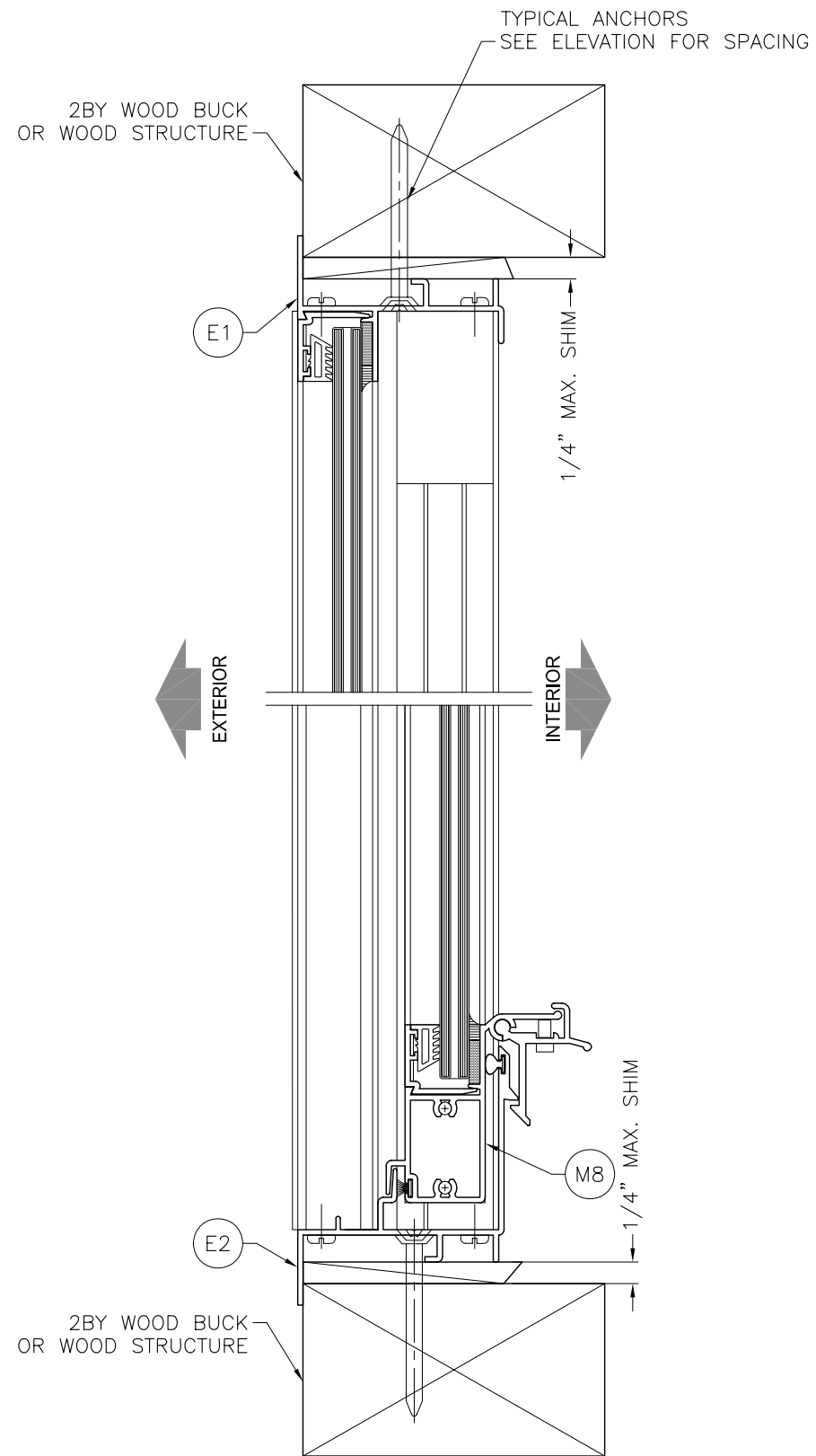
PART No.

SEE ELEVATION 2  
CODE

CONTENTS

DETAIL 6 (W/F.F.A.)  
DETAIL 8 (W/F.F.A.)  
DETAIL 9 (W/F.F.A.)

C.I. ENERGIA SOLAR S.A.  
**ESWINDOWS**  
5220 N.W. 72 Ave. Bay #4  
Miami, FL 33166  
Tel. (305) 640-9857  
Fax (305) 593-2074



**TYPICAL ANCHORS**

1/4" TAPCONS  
 1 3/8" MIN. PENETRATION INTO WOOD

**ES-1000**  
 SINGLE HUNG WINDOW  
 LMI



**WOOD STRUCTURES**

**INSTALLATION**

DESCRIPTION

PART No.

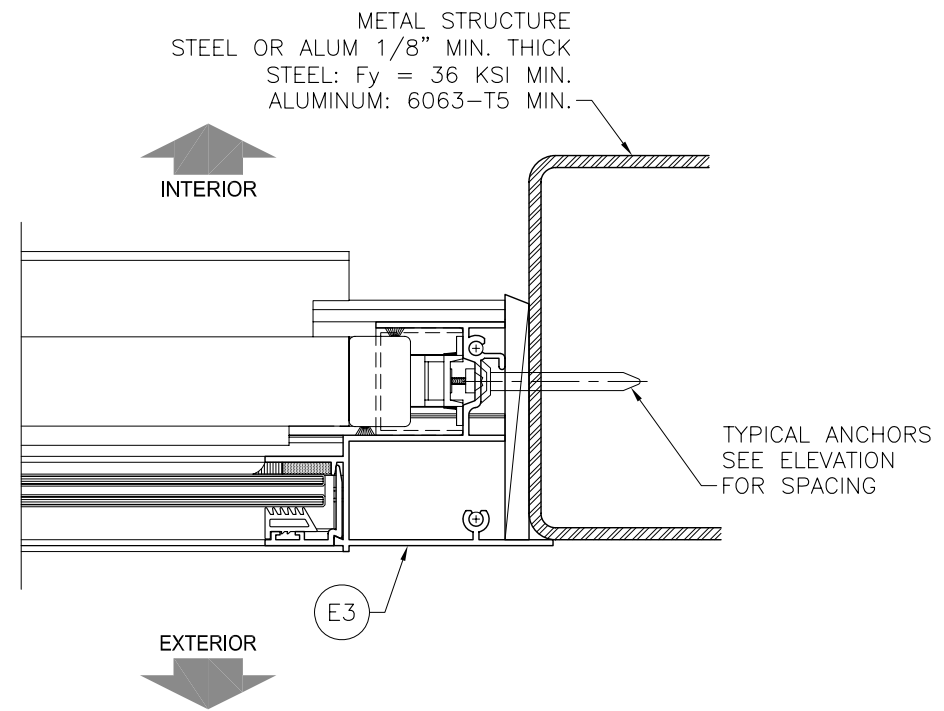
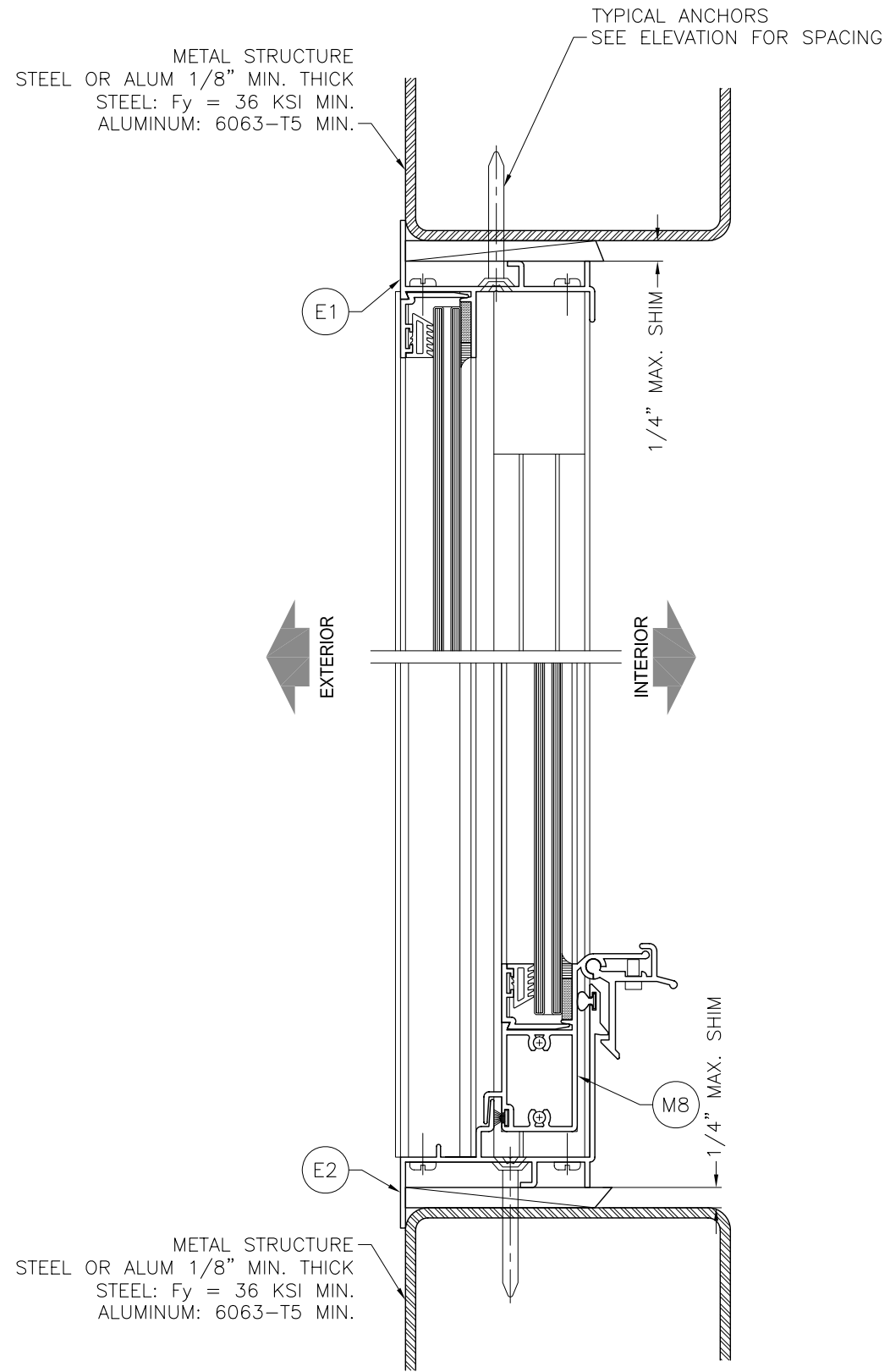
CONTENTS

--	--

--

CODE

C.I. ENERGIA SOLAR S.A.  
**ESWINDOWS**  
 5220 N.W. 72 Ave. Bay #4  
 Miami, FL 33166  
 Tel. (305) 640-9857  
 Fax (305) 593-2074



**TYPICAL ANCHORS**

1/4" TAPCONS  
#14 SMS OR SELF DRILLING SCREWS (GRADE 5 CRS)

**ES-1000**  
SINGLE HUNG WINDOW  
LMI



**METAL STRUCTURES**

**INSTALLATION**

DESCRIPTION

PART No.

CONTENTS

--	--

CODE

C.I. ENERGIA SOLAR S.A.  
**ESWINDOWS**  
 5220 N.W. 72 Ave. Bay #4  
 Miami, FL 33166  
 Tel. (305) 640-9857  
 Fax (305) 593-2074



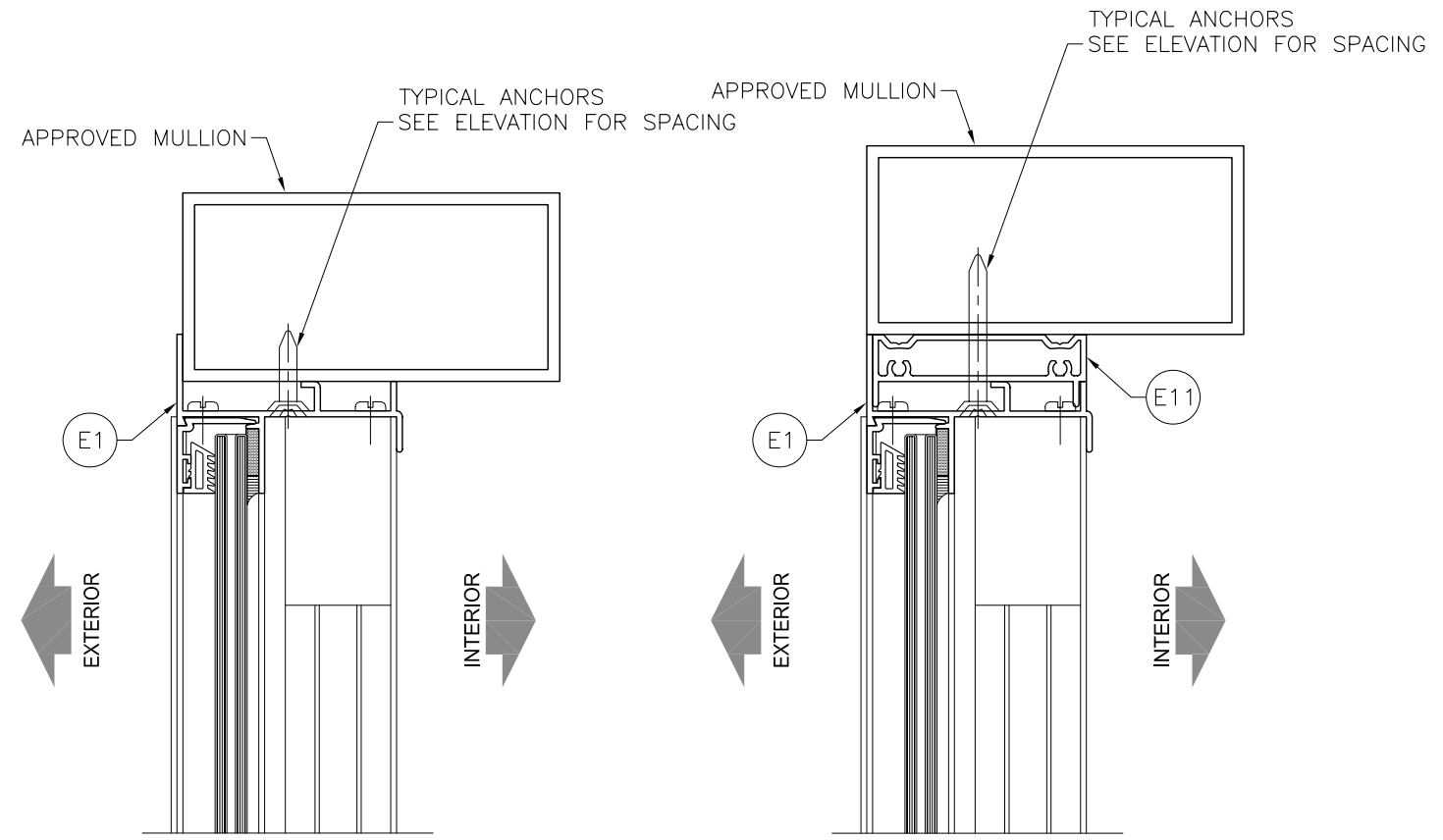
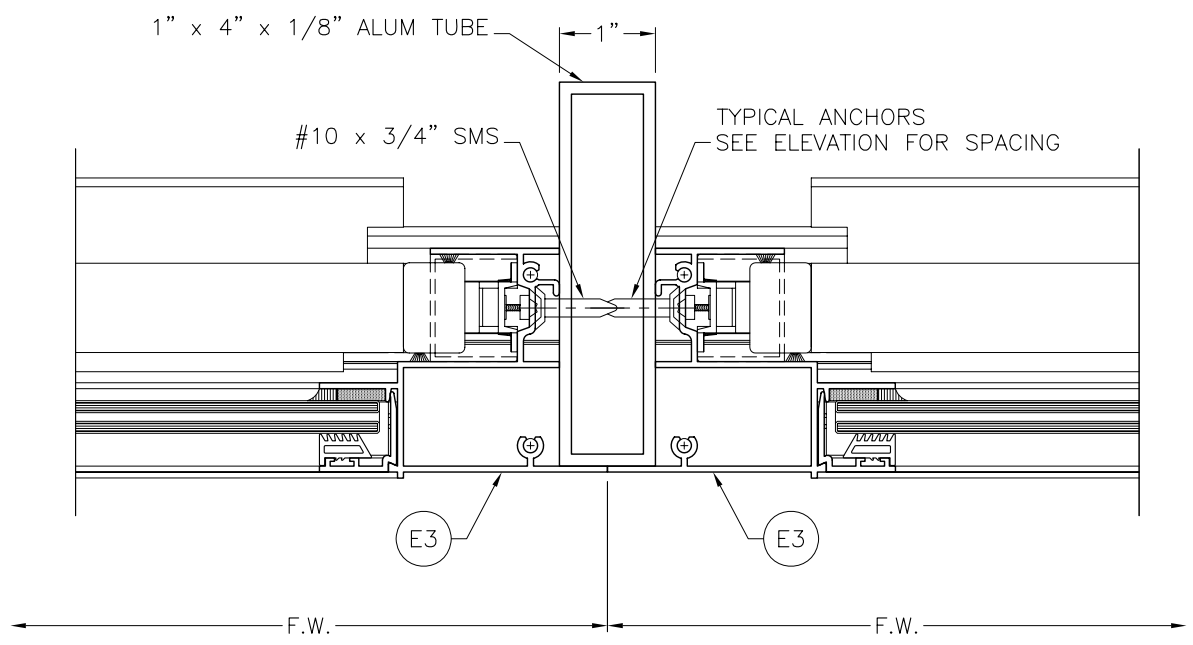
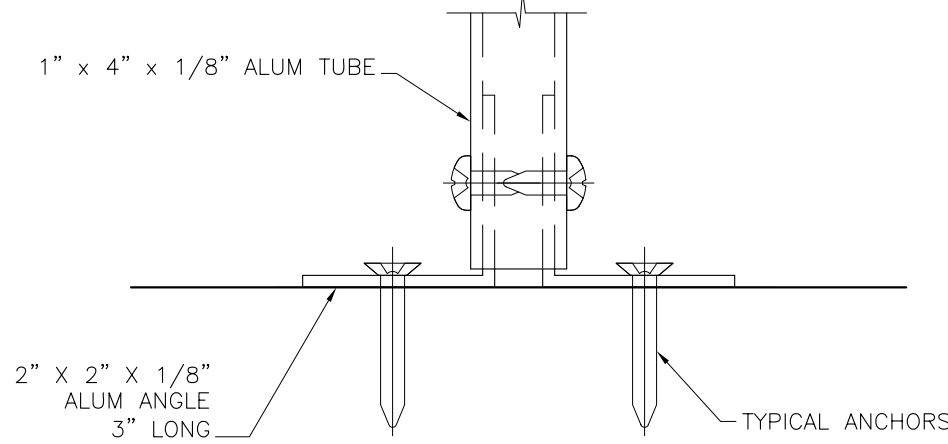
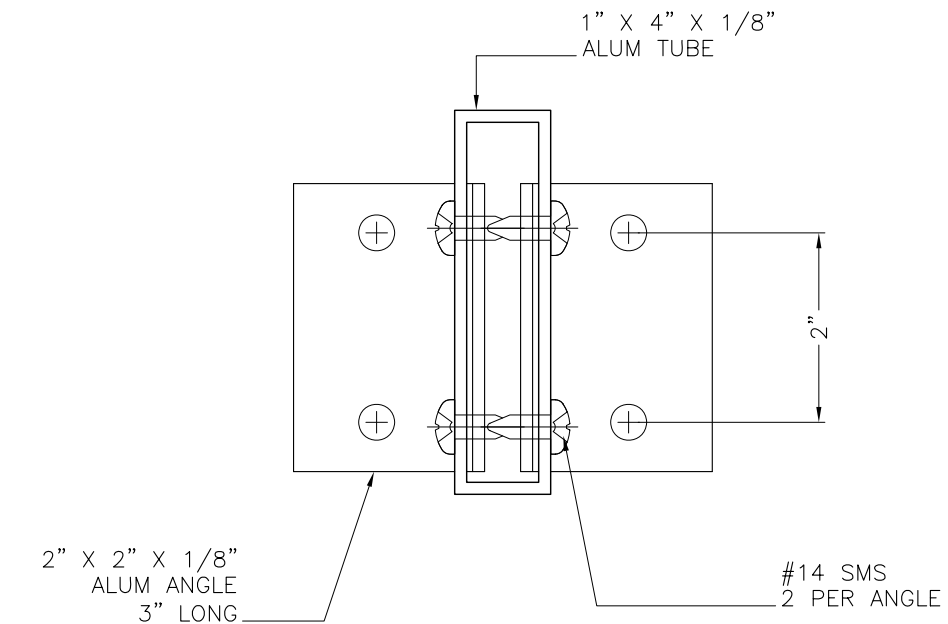
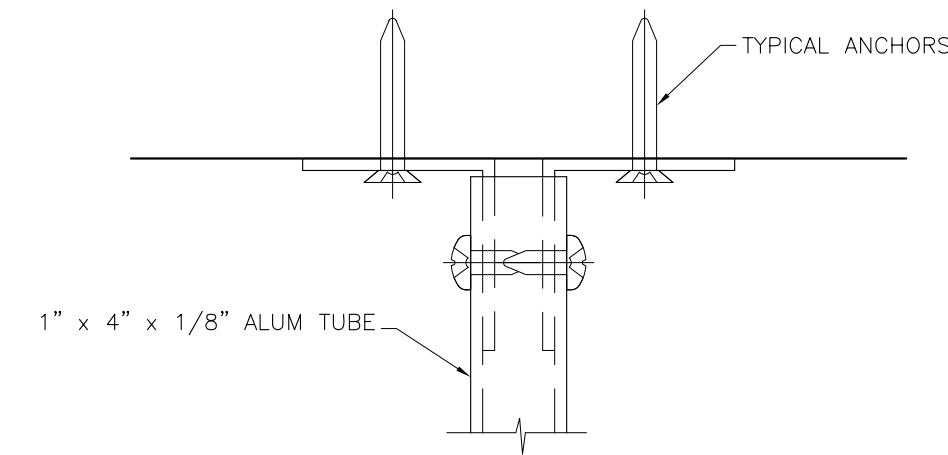
**MULLIONS**

DESCRIPTION

PART No.	
----------	--

CONTENTS	
----------	--

C.I. ENERGIA SOLAR S.A.  
**ESWINDOWS**  
 5220 N.W. 72 Ave. Bay #4  
 Miami, FL 33166  
 Tel. (305) 640-9857  
 Fax (305) 593-2074



**TYPICAL ANCHORS**  
 1/4" TAPCONS  
 #10 SMS OR SELF DRILLING SCREWS  
 INTO APPROVED MULLIONS (NO SHIM SPACE)