

5 MISCELANEOUS

ES-1000
SINGLE HUNG WINDOW
LMI

5

MISCELANEOUS

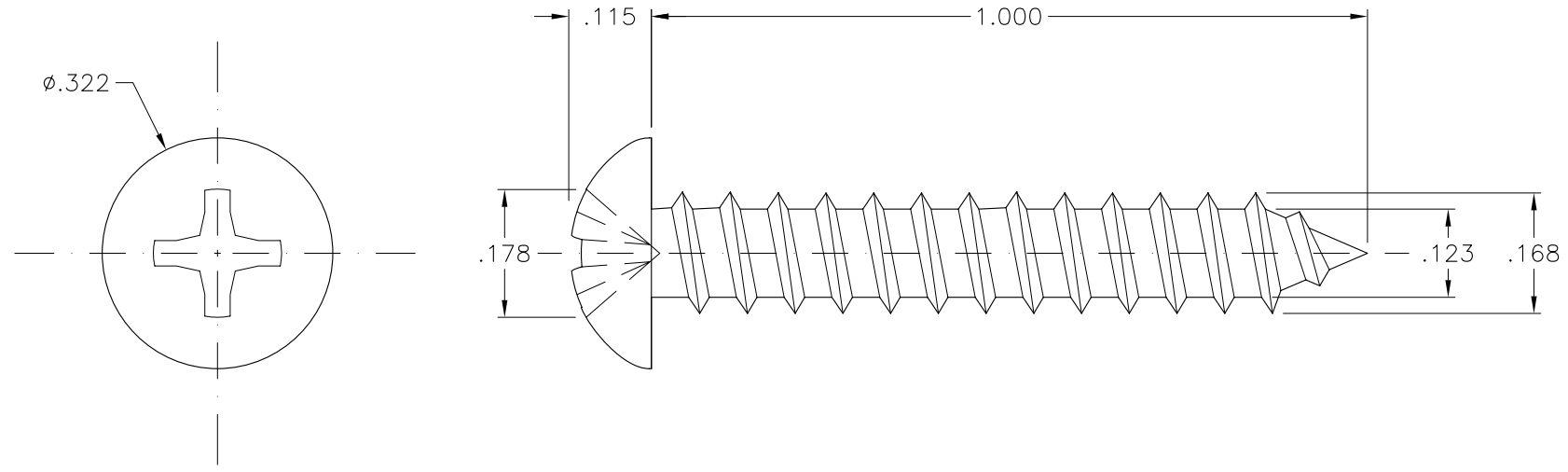
DESCRIPTION

PART No.

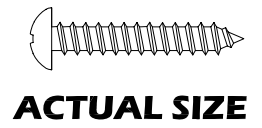
CONTENTS

CODE

C.I. ENERGIA SOLAR S.A.
ESWINDOWS
5220 N.W. 72 Ave. Bay #4
Miami, FL 33166
Tel. (305) 640-9857
Fax (305) 593-2074



8 x 1" P.H. ST/ST



ES-1000
SINGLE HUNG WINDOW
LMI

5

ASSEMBLY SCREW

MISCELLANEOUS

DESCRIPTION

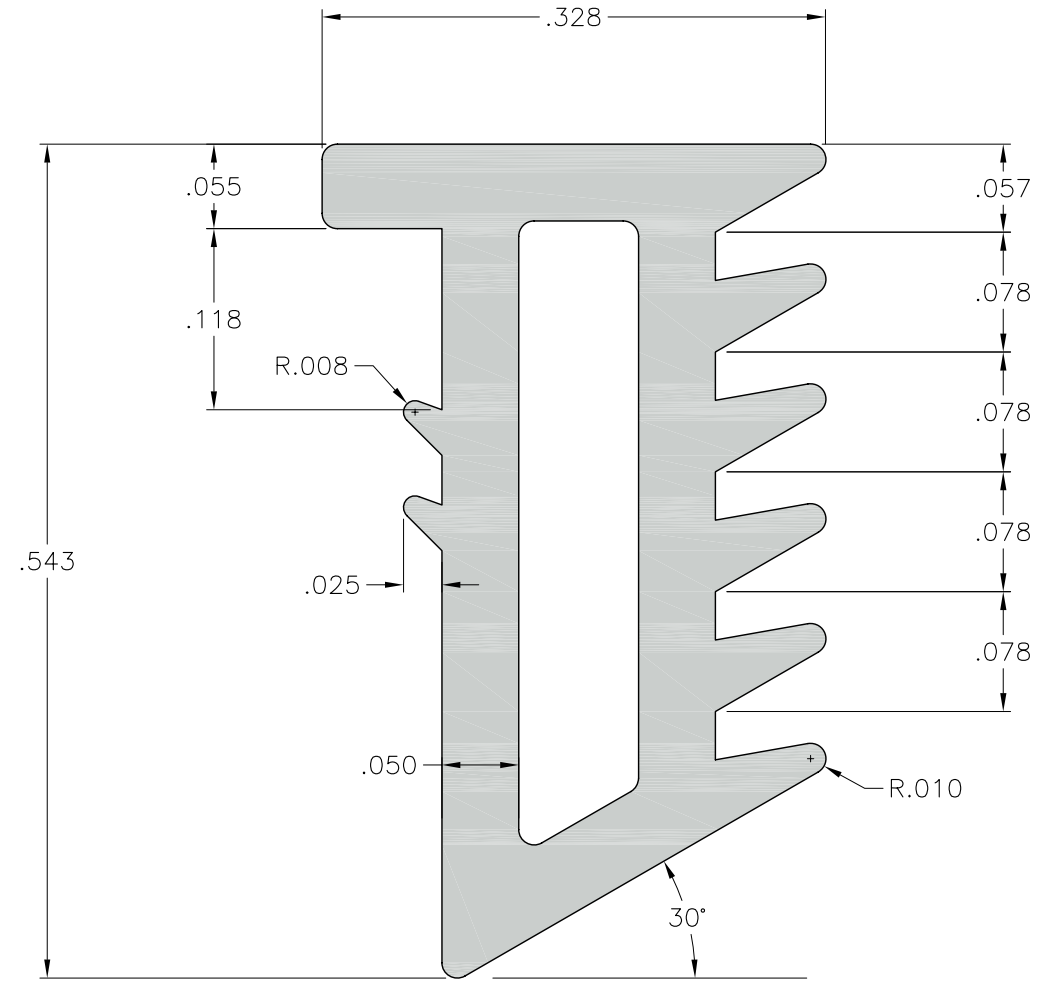
PART No.

M1

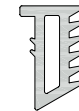
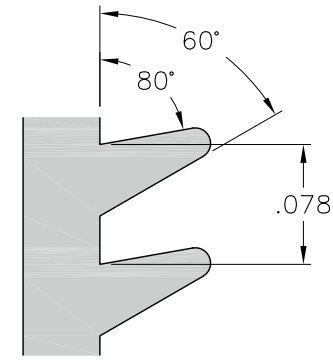
CONTENTS

CODE

C.I. ENERGIA SOLAR S.A.
ESWINDOWS
5220 N.W. 72 Ave. Bay #4
Miami, FL 33166
Tel. (305) 640-9857
Fax (305) 593-2074



SOFT P.V.C.



ACTUAL SIZE

ES-1000
SINGLE HUNG WINDOW
LMI

5

MISCELLANEOUS

GLAZING WEDGE

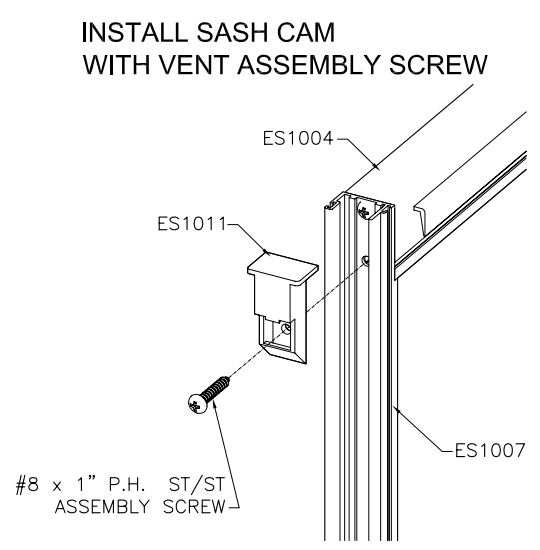
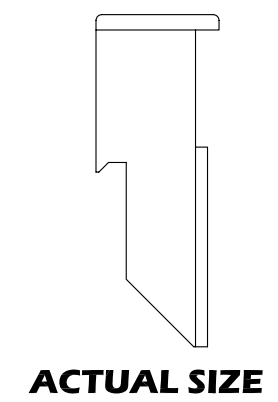
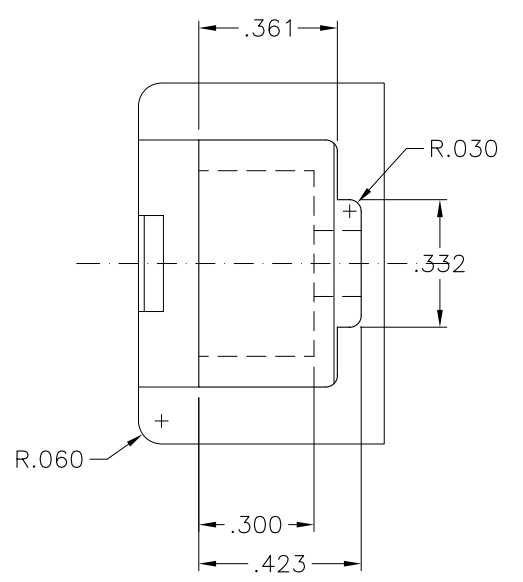
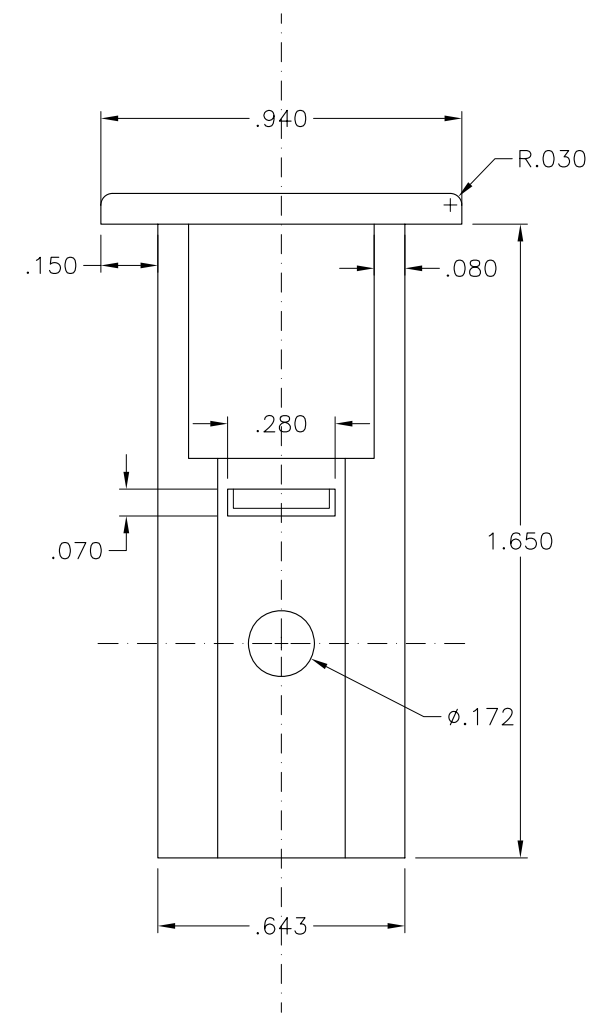
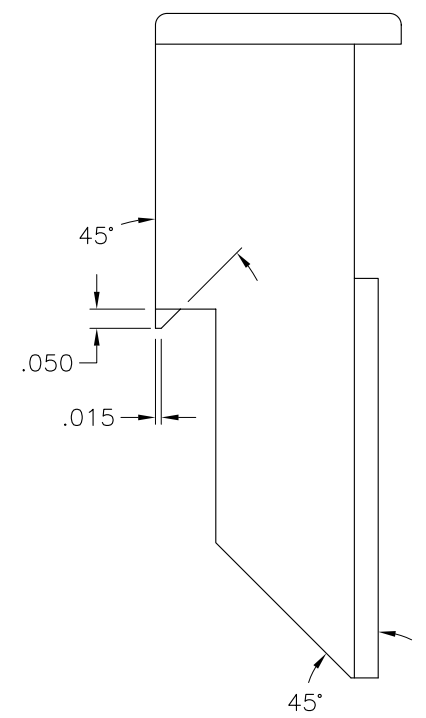
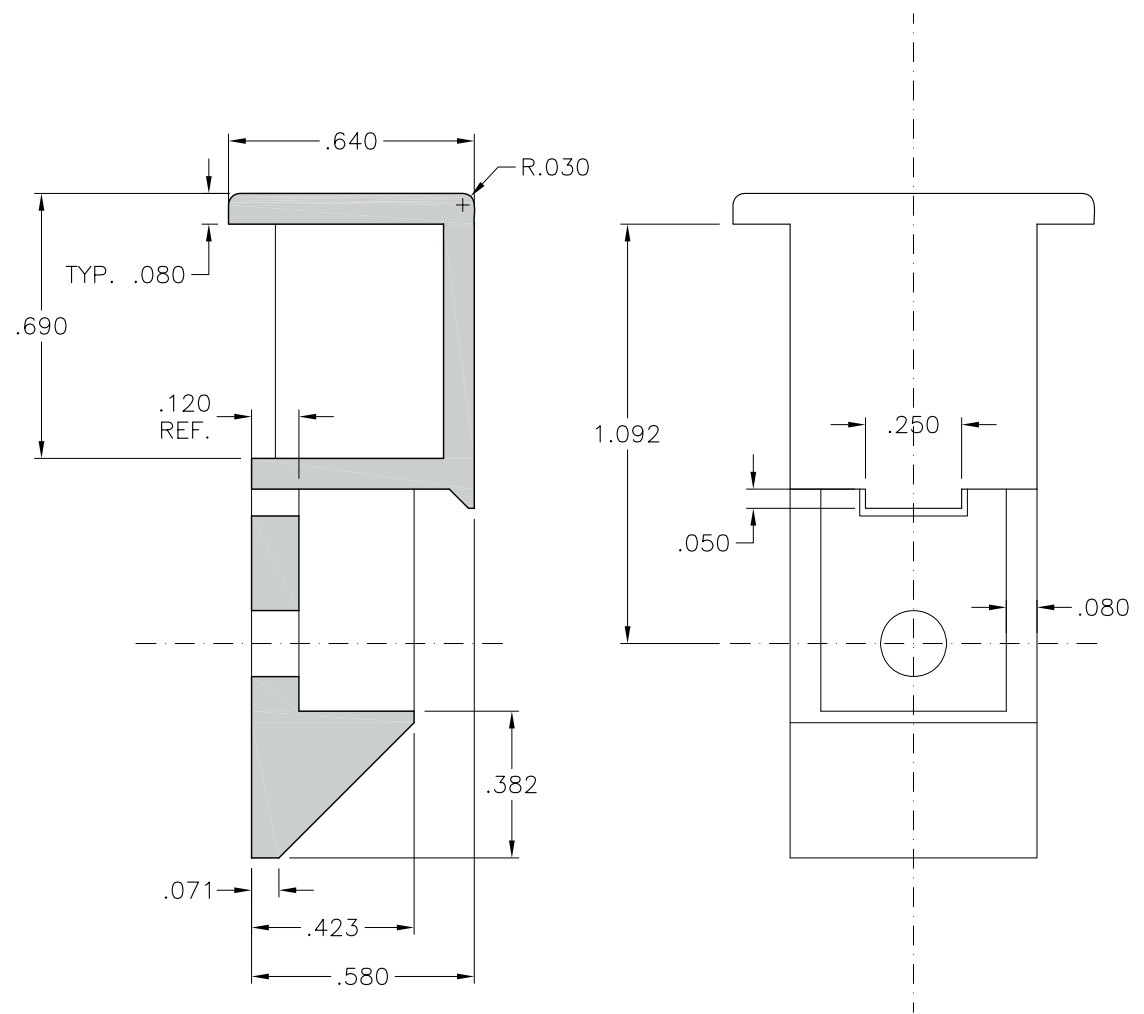
DESCRIPTION

PART No. **ES-1010**

CODE **M2**

CONTENTS

C.I. ENERGIA SOLAR S.A.
ESWINDOWS
5220 N.W. 72 Ave. Bay #4
Miami, FL 33166
Tel. (305) 640-9857
Fax (305) 593-2074



ES-1000
SINGLE HUNG WINDOW
LMI

5

MISCELLANEOUS

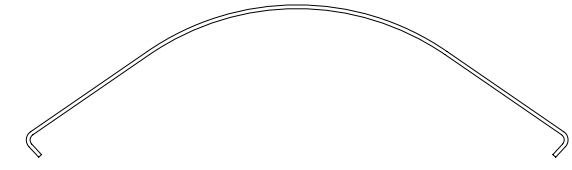
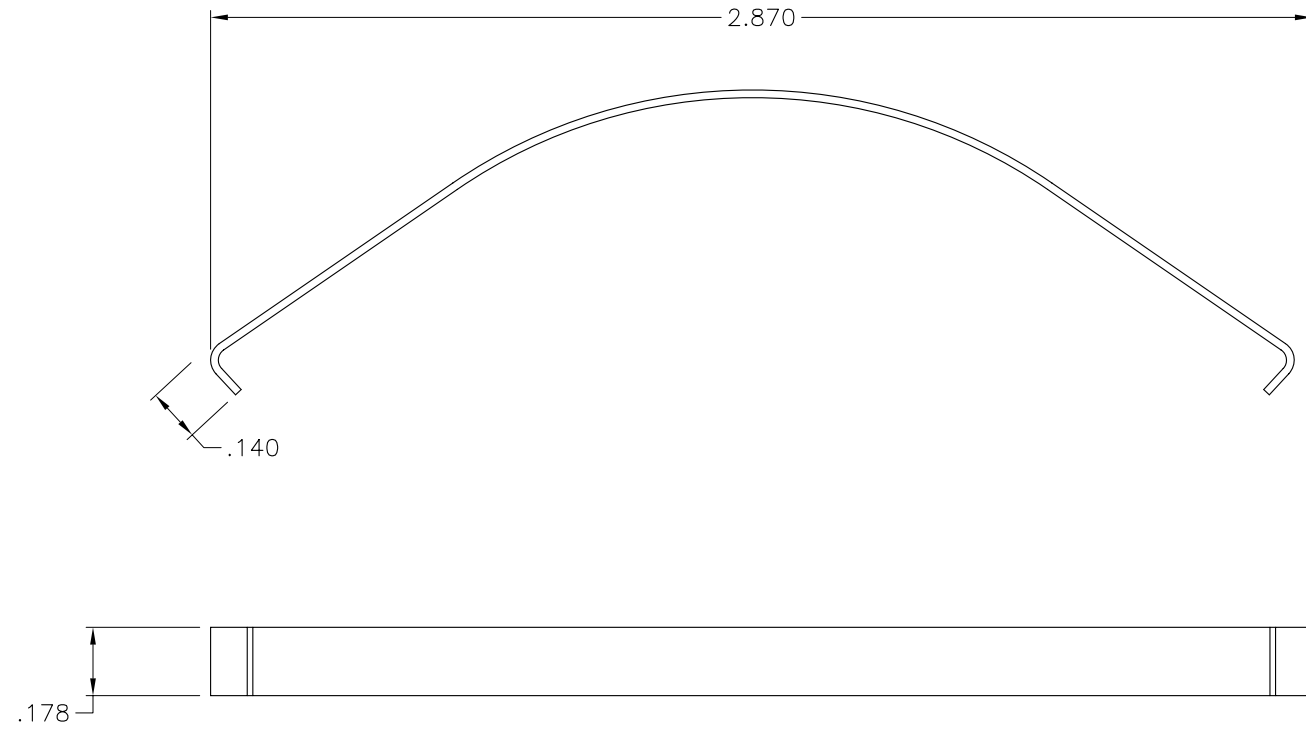
DESCRIPTION SASH CAM

PART No. ES-1011

CODE M3

CONTENTS

C.I. ENERGIA SOLAR S.A.
ESWINDOWS
5220 N.W. 72 Ave. Bay #4
Miami, FL 33166
Tel. (305) 640-9857
Fax (305) 593-2074



ACTUAL SIZE

C.I. ENERGIA SOLAR S.A.
ESWINDOWS
 5220 N.W. 72 Ave. Bay #4
 Miami, FL 33166
 Tel. (305) 640-9857
 Fax (305) 593-2074

CONTENTS

PART No.

ES-1012

M4

CODE

DESCRIPTION

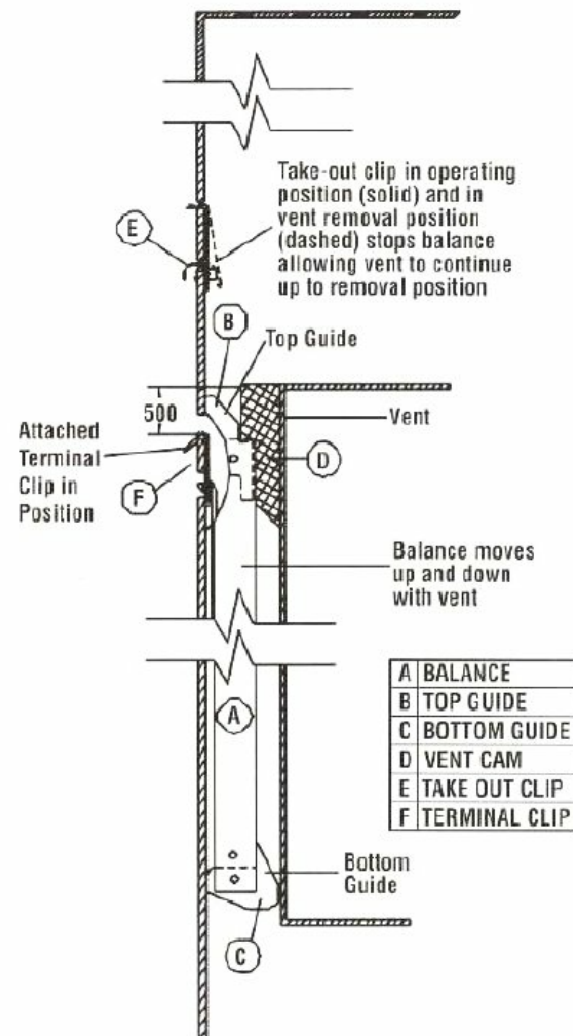
LATCH SPRING

5

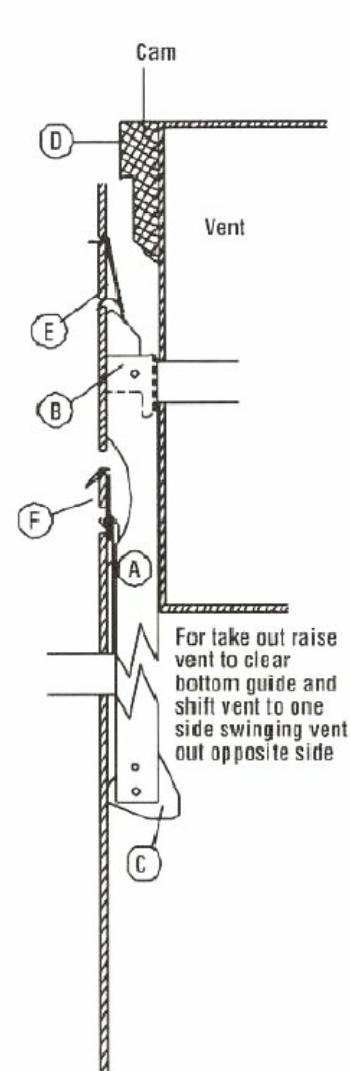
MISCELLANEOUS

ES-1000
 SINGLE HUNG WINDOW

LMI



VENT IN OPERATING POSITION

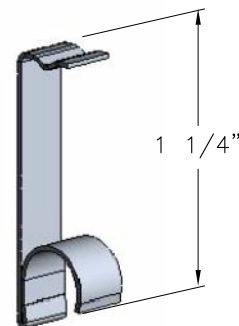


BALANCE and VENT IN TAKE-OUT or INSTALLATION POSITION

A	BALANCE
B	TOP GUIDE
C	BOTTOM GUIDE
D	VENT CAM
E	TAKE OUT CLIP
F	TERMINAL CLIP

TAKE OUT CLIP

15P22



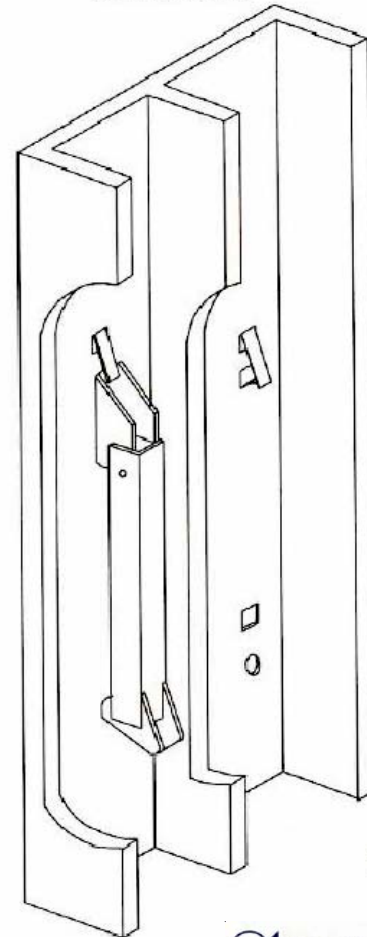
To Remove Vent

Position the take-out clips (E) for vent removal. Raise vent until top guide (B) engages the take-out clip. Continue to raise vent 2" to 3" more to allow the bottom guide to clear the bottom rail. Move vent right or left as far as possible. Removal is then accomplished by swinging the opposite side of vent inward.

To Replace the Vent

Position right or left side of vent against jamb, 2" to 3" above take-out clip, swing opposite side into alignment with frame. Then lowering vent to engage balances and on down to clear take out clips will automatically center it. Snap take-out clips into operating position.

BALANCE SHOWN INSTALLED IN JAMB WITH VENT REMOVED



BSI HARDWARE
MILWAUKEE GROUP

BALANCE LENGTH

BALANCE LENGTH = ROUND DOWN (VENT G.H. + 15/16")

VENT WEIGHT

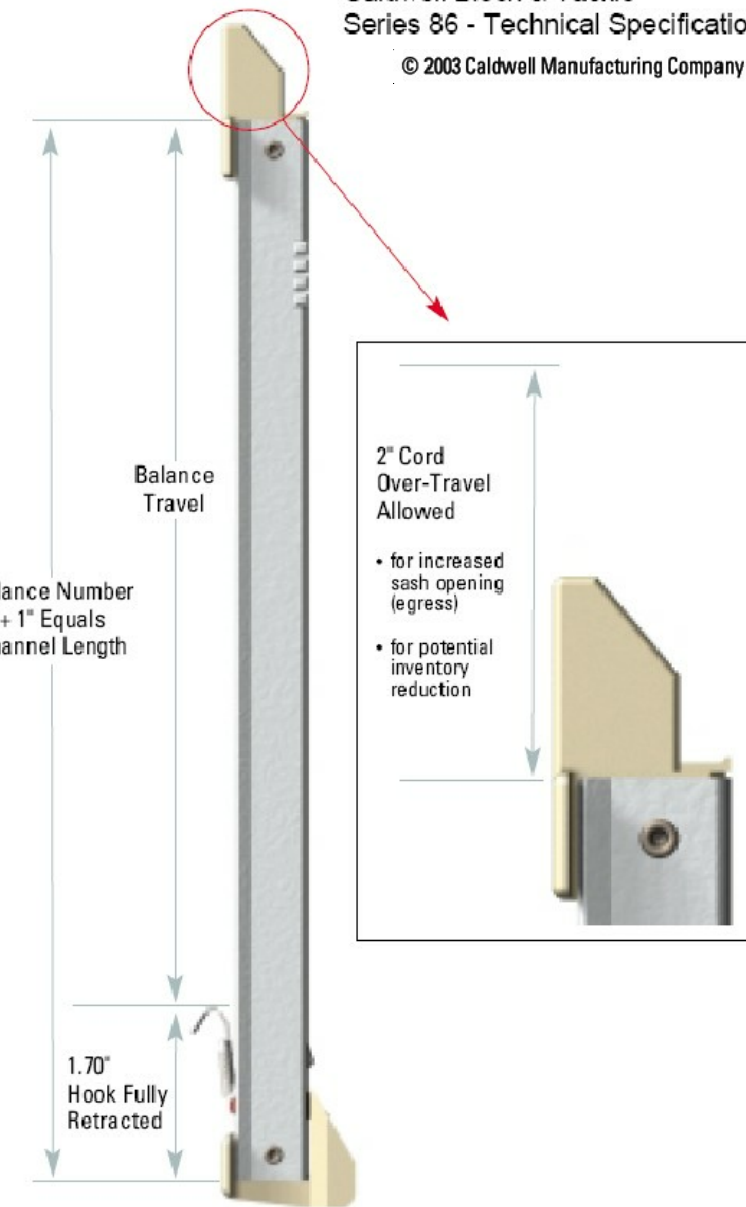
WEIGHT OF VENT = WEIGHT OF GLASS + WEIGHT OF ALUMINUM

WEIGHT OF GLASS

DESCRIPTION	WEIGHT PER AREA (LB. / SQ. IN.)
1/8" MONOLITHIC	0.0119
5/32" MONOLITHIC	0.0149
3/16" MONOLITHIC	0.0179
0.060" PVB	0.0026
0.090" PVB	0.0039
1/8" + .090 PVB + 1/8" LAMINATED	0.0277

WEIGHT OF GLASS = (G.W. x G.H.) x WEIGHT PER AREA

Balance Number + 1" Equals Channel Length



WEIGHT OF ALUMINUM

DESCRIPTION	LENGHT	WEIGHT PER LENGHT (LB. / IN.)
ES1004		0.0414
ES1006		0.0489
ES1007		0.0215
ES1008		0.0108
TOP & BOT. RAIL (ES1004+ES1006+2ES1008)	G.W. + 1/2"	0.1120
SIDE RAILS (2ES1007 + 2ES1008)	G.H. + 2 7/8"	0.0646

WEIGHT OF ALUMINUM = (G.W. + 1/2") x 0.112 + (G.H. + 2 7/8") x 0.0646

NOTE: FOR VENT WEIGHT > 45LB. USE SPIRAL BALANCE

ES-1000
SINGLE HUNG WINDOW
LMI

5

BALANCE BLOCK AND TACKLE
MISCELLANEOUS

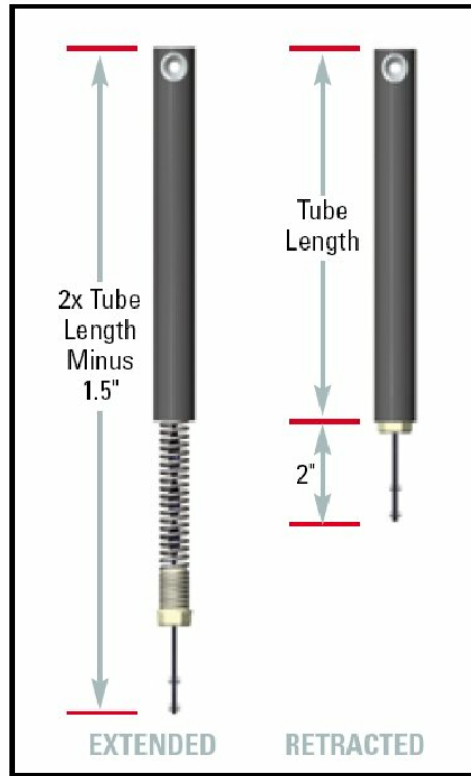
DESCRIPTION

PART No. **M5-M6**

CONTENTS

C.I. ENERGIA SOLAR S.A.
ESWINDOWS
5220 N.W. 72 Ave. Bay #4
Miami, FL 33166
Tel. (305) 640-9857
Fax (305) 593-2074

TRAVEL CHARACTERISTICS

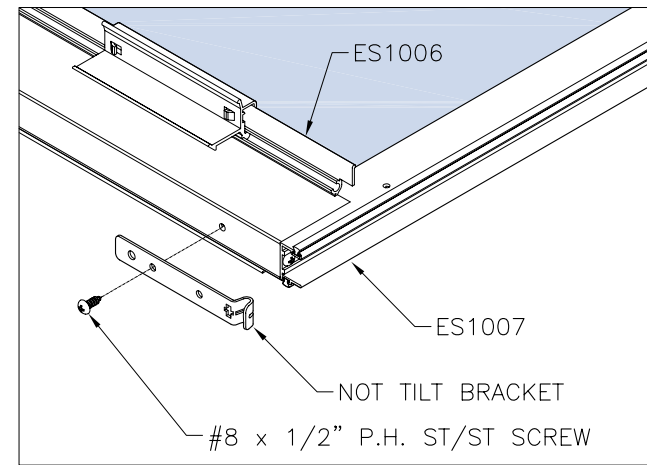


TUBE LENGTH = BALANCE NUMBER + 1/2"

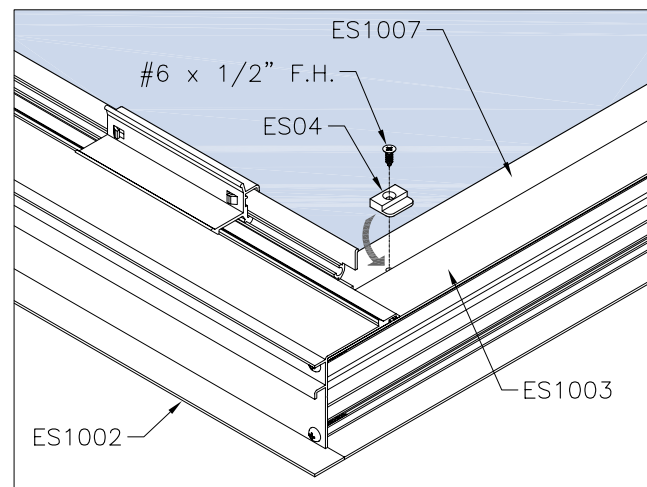
GENERAL SPECIFICATIONS

TUBE: 0.670" DIAMETER RIGID GREY PVC.
 CAPACITY: 10 TO 80 LBS PER PAIR.
 TUBE LENGTHS: 8 1/2" TO 60 1/2".
 WINDOW TYPES: AVAILABLE FOR BOTH TILT AND NON-TILT WINDOWS.
 IDENTIFICATION: EACH TUBE IS MARKED WITH A BALANCE NUMBER THAT EQUALS TUBE LENGTH MINUS 1/2". FOR EXAMPLE #40 HAS A TUBE LENGTH OF 40 1/2".
 INSTALLATION: NO SPECIAL TOOLS ARE NEEDED. SIMPLY MOUNT TO FRAME WITH #8 SCREW.
 BALANCE IS PRE-TENSIONED FOR SPECIFIC WEIGHT BUT MINOR ADJUSTMENTS (±2 LBS.) CAN BE MADE ON-SITE.

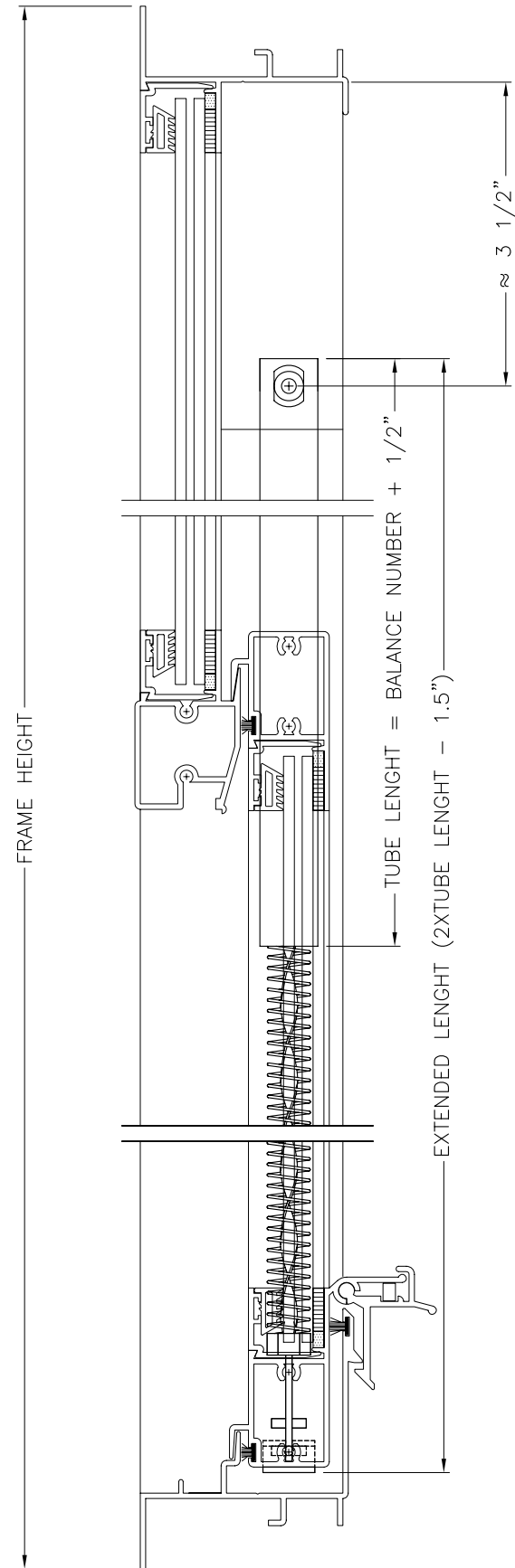
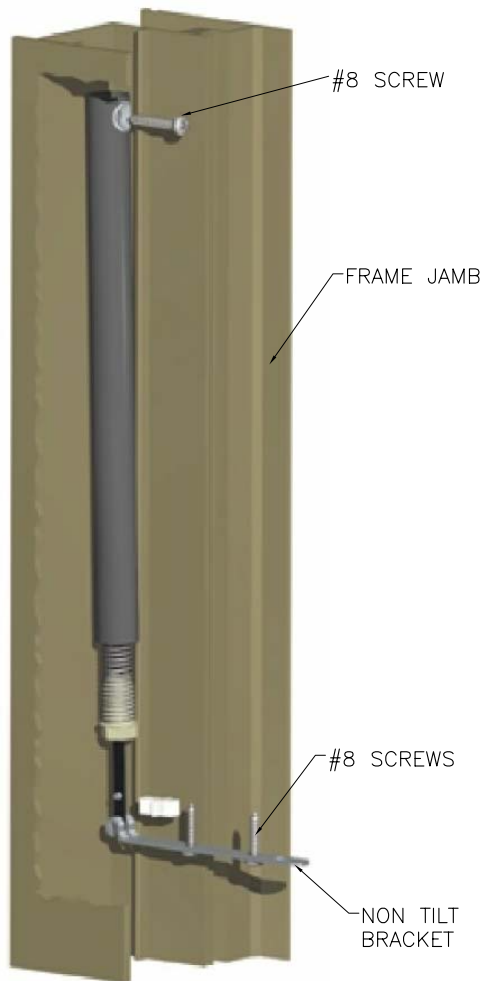
FASTEN BALANCE BRACKET TO VENT BOTTOM



AFTER VENT INSTALLATION ATTACH ES04 PLASTIC GUIDES TO VENT SIDES.



© 2003 Caldwell Manufacturing Company



SPIRAL BALANCE LENGTH

BALANCE LENGTH = ROUND DOWN (VENT G.H. + 15/16")

(FOR VENT WEIGHT SEE BLOCK AND TACKLE BALANCE PAGE 48)

BALANCE DIMENSIONS

BALANCE #	TUBE LENGTH	EXTENDED LENGTH	VENT WEIGHT SUPPORTED PER PAIR (LBS.)
# 8	8 1/2"	15 1/2"	-
# 9	9 1/2"	17 1/2"	-
# 10	10 1/2"	19 1/2"	10 - 47
# 11	11 1/2"	21 1/2"	10 - 47
# 12	12 1/2"	23 1/2"	10 - 55
# 13	13 1/2"	25 1/2"	10 - 57
# 14	14 1/2"	27 1/2"	10 - 59
# 15	15 1/2"	29 1/2"	10 - 63
# 16	16 1/2"	31 1/2"	10 - 65
# 17	17 1/2"	33 1/2"	10 - 67
# 18	18 1/2"	35 1/2"	10 - 69
# 19	19 1/2"	37 1/2"	10 - 71
# 20	20 1/2"	39 1/2"	10 - 75
# 21	21 1/2"	41 1/2"	10 - 77
# 22	22 1/2"	43 1/2"	10 - 79
# 23	23 1/2"	45 1/2"	10 - 80
# 24	24 1/2"	47 1/2"	10 - 80
# 25	25 1/2"	49 1/2"	10 - 80
# 26	26 1/2"	51 1/2"	10 - 80
# 27	27 1/2"	53 1/2"	10 - 80
# 28	28 1/2"	55 1/2"	10 - 80
# 29	29 1/2"	57 1/2"	10 - 80
# 30	30 1/2"	59 1/2"	10 - 80
# 31	31 1/2"	61 1/2"	10 - 80
# 32	32 1/2"	63 1/2"	10 - 80
# 33	33 1/2"	65 1/2"	10 - 80
# 34	34 1/2"	67 1/2"	10 - 80
# 35	35 1/2"	69 1/2"	10 - 80
# 36	36 1/2"	71 1/2"	10 - 80
# 37	37 1/2"	73 1/2"	10 - 80
# 38	38 1/2"	75 1/2"	10 - 80
# 39	39 1/2"	77 1/2"	10 - 80
# 40	40 1/2"	79 1/2"	10 - 80
# 41	41 1/2"	81 1/2"	10 - 80
# 42	42 1/2"	83 1/2"	10 - 80
# 43	43 1/2"	85 1/2"	10 - 80
# 44	44 1/2"	87 1/2"	10 - 80
# 45	45 1/2"	89 1/2"	10 - 80
# 46	46 1/2"	91 1/2"	10 - 80
# 47	47 1/2"	93 1/2"	10 - 80
# 48	48 1/2"	95 1/2"	10 - 80
# 49	49 1/2"	97 1/2"	10 - 80
# 50	50 1/2"	99 1/2"	10 - 80
# 51	51 1/2"	101 1/2"	10 - 80
# 52	52 1/2"	103 1/2"	10 - 80
# 53	53 1/2"	105 1/2"	10 - 80
# 54	54 1/2"	107 1/2"	10 - 80
# 55	55 1/2"	109 1/2"	10 - 80
# 56	56 1/2"	111 1/2"	10 - 80
# 57	57 1/2"	113 1/2"	10 - 80
# 58	58 1/2"	115 1/2"	10 - 80
# 59	59 1/2"	117 1/2"	10 - 80
# 60	60 1/2"	119 1/2"	10 - 80

ES-1000
 SINGLE HUNG WINDOW
 LMI

5

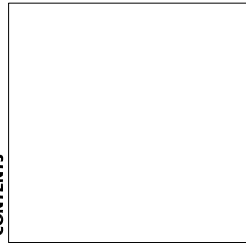
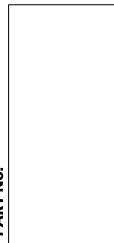
MISCELLANEOUS

BALANCE SPIRAL

DESCRIPTION

PART No.

CONTENTS



M5

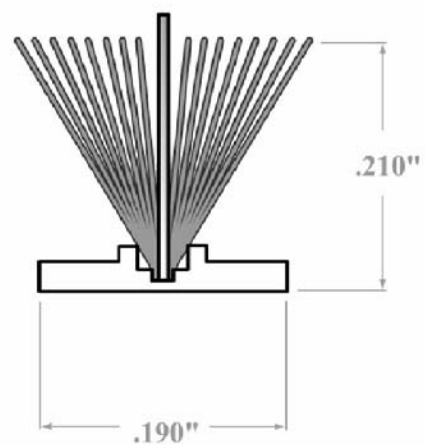
CODE

C.I. ENERGIA SOLAR S.A.
ESWINDOWS
 5220 N.W. 72 Ave. Bay #4
 Miami, FL 33166
 Tel. (305) 640-9857
 Fax (305) 593-2074

Pile Weatherstripping

ORDERING PAGE

W23211NG0000



Catalog Content Copyright © 2000 Ultrafab, Inc.
Catalog Source Code Copyright © 2000 E-Znet Incorporated

CHARACTERISTICS

MATERIAL: SOLYD POLYPROPYLENE BASE
FIN: 1 CENTER
COLOR: GRAY
DENSITY: MEDIUM

How to Order Ultrafab's Weatherstripping Products

Please select one option from each of the columns below. Place the corresponding letter or number in the shaded space below each digit column. For pile height the chart to select your pile height and place the corresponding two digit number in the designated spaces. If you prefer, let us convert your current part numbers new part numbers. Just fax us a list of the weatherstrip products you currently order, and we'll do the rest!

Digit 1: Product	Digit 2: Fin Type/Location	Digit 3: Density	Digits 4 & 5: Pile Height		Digit 6: Backing Width	Digit 7: Backing Options	Digit 8: Pile Color
W Weatherstrip	1 Non-Fin	1 Very High	15 .150"	25 .250"	1 .187"	2 Kerf 2 White	K Black
K Kerf	2 Clear-Center	2 High	16 .160"	26 .260"	2 .200"	3 Kerf 3 Black	W White
Q Skirting	3 Black-Center	3 Medium	17 .170"	27 .270"	3 .210"	7 T-Loc Size 7	G Grey
	4 White-Center	4 Light	18 .180"	28 .280"	4 .229"	9 T-Loc Size 9	E Beige
	5 Grey-Center	5 Commercial	19 .190"	29 .290"	5 .270"	T T-Snap	B Brown
	6 Clear-Triple	6 Skirting	20 .200"	30 .300"	6 .310"	A Adhesive (3M)	L Blue
	7 Black-Triple		21 .210"	31 .310"	7 .115"	N No Special Options	
	8 White-Triple		22 .220"	32 .320"		D Diamond Skirting	
	9 Grey-Triple		23 .230"	33 .330"		S Square Skirting	
	? If other than listed please specify.	? If other than listed please specify.	24 .240"	34 .340"	? If other than listed please specify	? If other than listed please specify.	? If other than listed please specify
			?? If other than listed, please specify				



5

WEATHERSTRIP PILE

MISCELLANEOUS

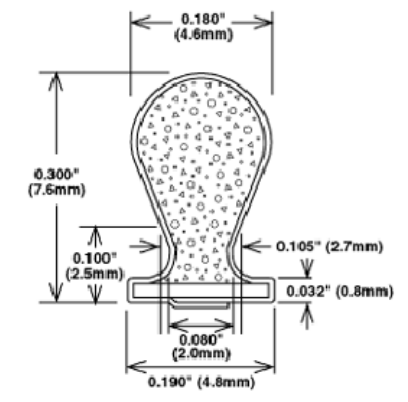
DESCRIPTION

PART No. **W23211NG**

CODE **M7**

CONTENTS

C.I. ENERGIA SOLAR S.A.
ESWINDOWS
5220 N.W. 72 Ave. Bay #4
Miami, FL 33166
Tel. (305) 640-9857
Fax (305) 593-2074



©Copyright **THE SCHLEGEL GROUP** ® Registered
Contacts/Distributors Legal Statement

CHARACTERISTICS

MATERIAL: URETHANE FOAM W/ POLYETHYLENE CLADDING
COLORS: WHITE FOR WHITE WINDOWS
BLACK FOR OTHER COLORS



ACTUAL SIZE

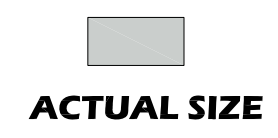
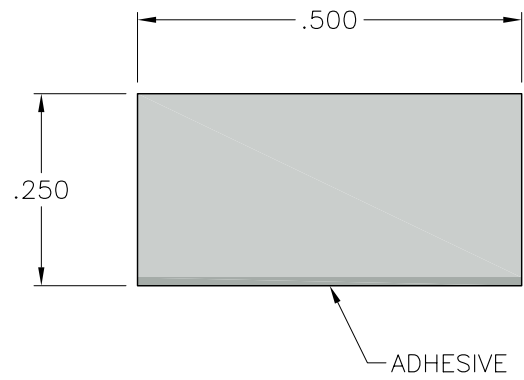
DESCRIPTION **O-LON**

PART No. **Q300T190**

CODE **M8**

CONTENTS

C.I. ENERGIA SOLAR S.A.
ESWINDOWS
5220 N.W. 72 Ave. Bay #4
Miami, FL 33166
Tel. (305) 640-9857
Fax (305) 593-2074



ES-1000
SINGLE HUNG WINDOW
LMI

5

FOAM TAPE 1/4" x 1/2"


MISCELLANEOUS

DESCRIPTION

PART No. **ES-4013**

CODE **M11**

CONTENTS

C.I. ENERGIA SOLAR S.A.

ESWINDOWS
 5220 N.W. 72 Ave. Bay #4
 Miami, FL 33166
 Tel. (305) 640-9857
 Fax (305) 593-2074

INSTALLATION

ES-1000
SINGLE HUNG WINDOW
LMI




INSTALLATION

DESCRIPTION

PART No.

CONTENTS

CODE

C.I. ENERGIA SOLAR S.A.

ESWINDOWS
5220 N.W. 72 Ave. Bay #4
Miami, FL 33166
Tel. (305) 640-9857
Fax (305) 593-2074