

2 ASSEMBLY & DETAILS

ES-1000
SINGLE HUNG WINDOW
LMI



ASSEMBLY & DETAILS

DESCRIPTION

PART No.

CONTENTS

CODE

C.I. ENERGIA SOLAR S.A.
ES
ESWINDOWS
5220 N.W. 72 Ave. Bay #4
Miami, FL 33166
Tel. (305) 640-9857
Fax (305) 593-2074

SPECIFICATIONS

STANDARD SILL

BASED ON TEST REPORT FTL# 03084

TEST SIZE 53 1/8" x 63"

DESIGN LOADS:

NEGATIVE: -90.00 PSF.

POSITIVE: +70.00 PSF.

WATER INFILTRATION TEST: 10.50 PSF.

TESTED GLASS:

LAMINATED LARGE MISSILE IMPACT:

0.125" THK. HEAT STRENGTHENED GLASS OUTSIDE

0.090" DUPONT BUTACITE P.V.B. INNER LAYER

0.125" THK. HEAT STRENGTHENED GLASS INSIDE

HI - RISE SILL

TEST SIZE 53 1/8" x 63"

DESIGN LOADS:

NEGATIVE: -90.00 PSF.

POSITIVE: +80.00 PSF.

WATER INFILTRATION TEST: 12.00 PSF.

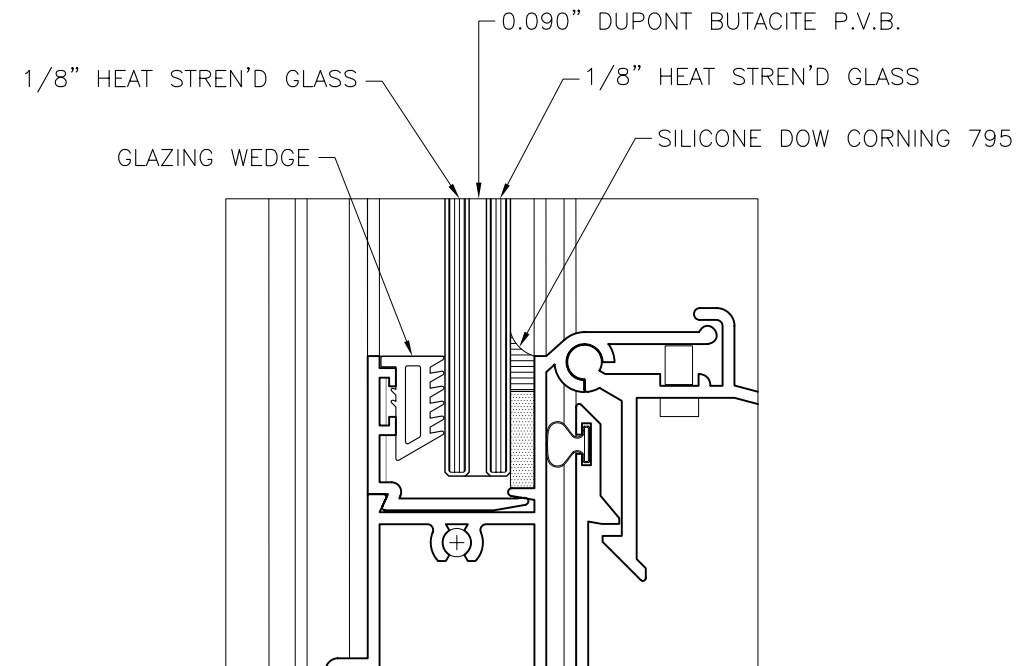
TESTED GLASS:

LAMINATED LARGE MISSILE IMPACT:

0.125" THK. HEAT STRENGTHENED GLASS OUTSIDE

0.090" DUPONT BUTACITE P.V.B. INNER LAYER

0.125" THK. HEAT STRENGTHENED GLASS INSIDE



TYPICAL GLAZING

(FOR MORE GLAZING OPTIONS SEE N.O.A., CHAPTER 8)

ES-1000
SINGLE HUNG WINDOW
LMI

1

SPECIFICATIONS

DESCRIPTION

PART No.

CONTENTS

CODE

2